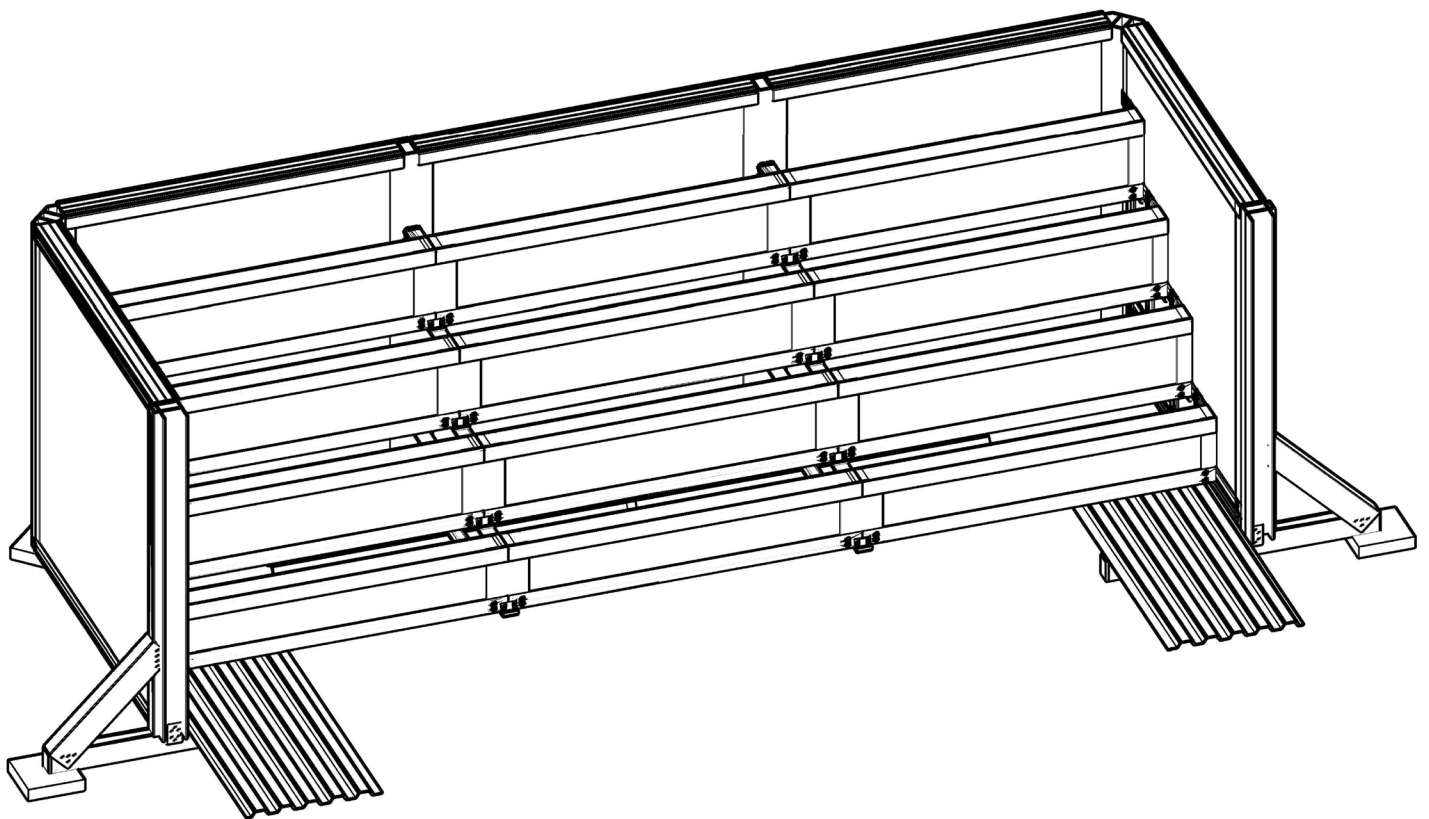


WALK-IN STADIUM STAIRS MODEL RF 1212 INSTALLATION MANUAL

03/07/2020



Important:

Make sure you have all the necessary tools and materials before beginning your installation. Below is a list of the tools and materials needed.

The actual Stairs design may not be exactly as pictured on our web site or brochures. The Pool Factory, Inc. reserves the right to change and/or alter its stairs designs at any time without advance notice.

Before starting assembling the stairs, please read all the instruction attentively and follow all the steps described.

Caution!!!

The sides of the Wall Panels are very sharp. Please install them with extreme diligence.

Tools and Materials Required:

- Carpenter level, tape measure, hand rake, ground shovel, round-pointed shovel, wheel barrel, electrical drill, 11/64" drill bit, 1/4" drill bit, impact gun with torque adjustment, 1/4" hex head socket, pool sand, duct tape, crushed stones

Note: *Use a professional impact gun with torque adjustment for screwing all the self-tapping screws all over the pool and stairs by all means to avoid stripping aluminum and loosening the self-tapping screws.*

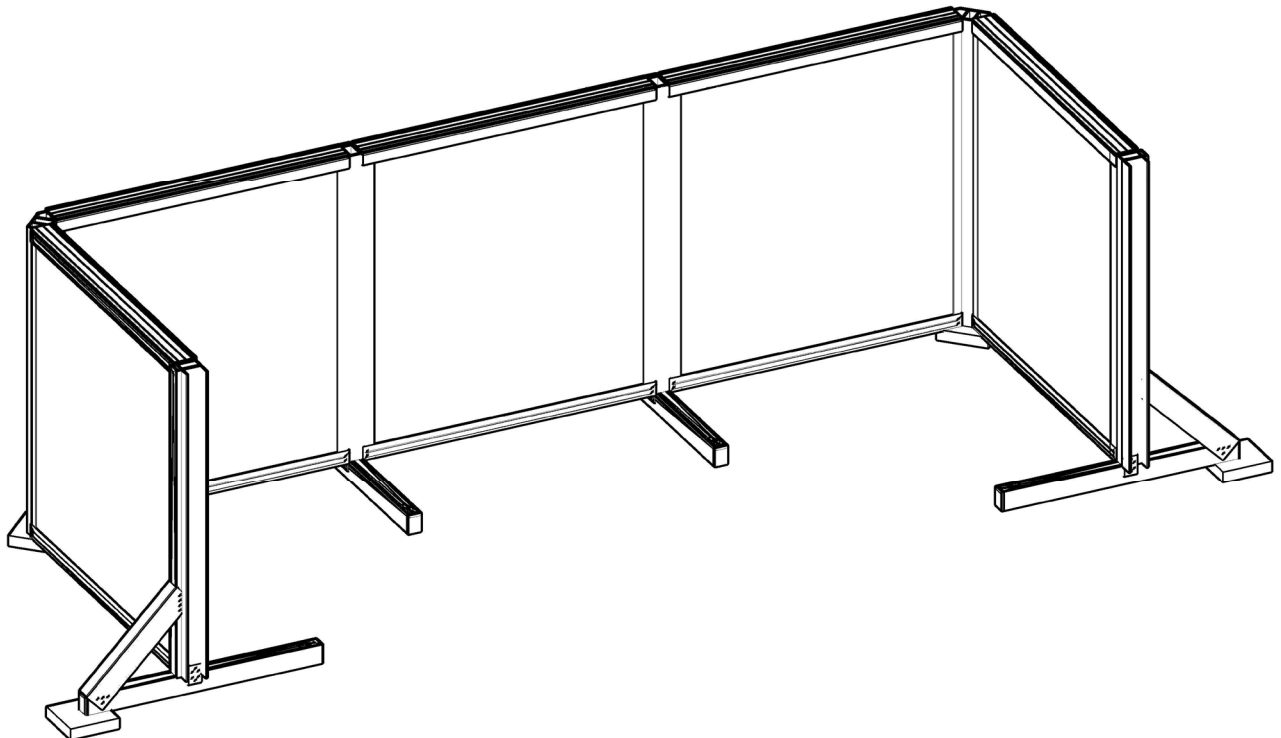
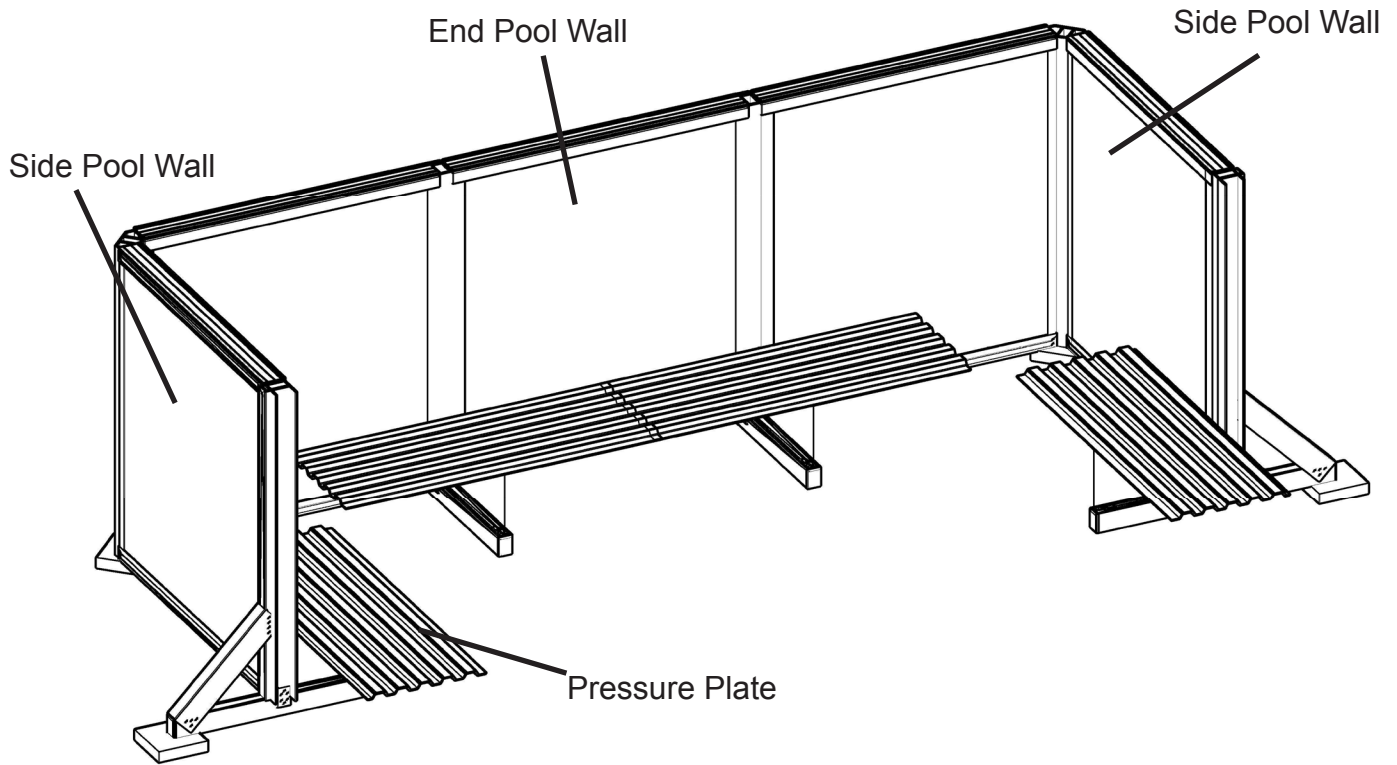
Parts List

Parts #	Quantity				Description	Size
1	2				Side Vertical Channel A	9.625"
2	6				Side Vertical Channel B	11.875"
3	2				Side Horizontal Strap A	8.5"
4	2				Side Horizontal Strap B	18.375"
5	2				Side Horizontal Strap C	28.375"
6	2				Side Horizontal Strap D	38.375"
7	2				Side Horizontal Strap E	49"
8	2				Side Vertical Strap A	11.75"
9	2				Side Vertical Strap B	21.75"
10	2				Side Vertical Strap C	31.75"
11	2				Side Vertical Strap D	41.75"
12	8				(Shelf) Bracket A	1.75" x 1.75" x 2" x 0.25" (2 holes)
	Quantity by sizes					
	9'	14'	18'	22'		
13	8	12	16	20	Top Horizontal Channel	50.75" (no holes)
14	8	12	16	20	Bottom Horizontal Channel	50.75" (6 holes)
15	1	2	3	4	Middle Vertical Post A	9.625"
16	3	6	9	12	Middle Vertical Post B	11.875"
17	1	2	3	4	Middle Strap A	42"
18	1	2	3	4	Middle Strap B	35.75"
19	1	2	3	4	Middle Strap C	25.75"
20	1	2	3	4	Middle Strap D	15.75"
21	1	2	3	4	Middle Strap E	5.75"
22	2	3	4	5	Wall Panel A	48" x 9.5"
23	6	9	12	15	Wall Panel B	48" x 11.625"
24	9	18	27	36	(Structural) Bracket B	1.75" x 1.75" x 2" x 0.25" (2 holes)
25	3	6	9	12	(Structural) Bracket C	1.75" x 1.75" x 2" x 0.25" (4 holes)
26	1	2	3	4	(Structural) Bracket D	1.75" x 1.75" x 2" x 0.25" (2 holes)
27	1	1	1	1	Plastic Sheeting	12"
	Hardware					
	240	310	380	450	Self-Tapping Screw	1"
	32	32	32	32	Small Washer	
	32	32	32	32	Big Washer	

STEP 1

Removing four Pool's Pressure Plates

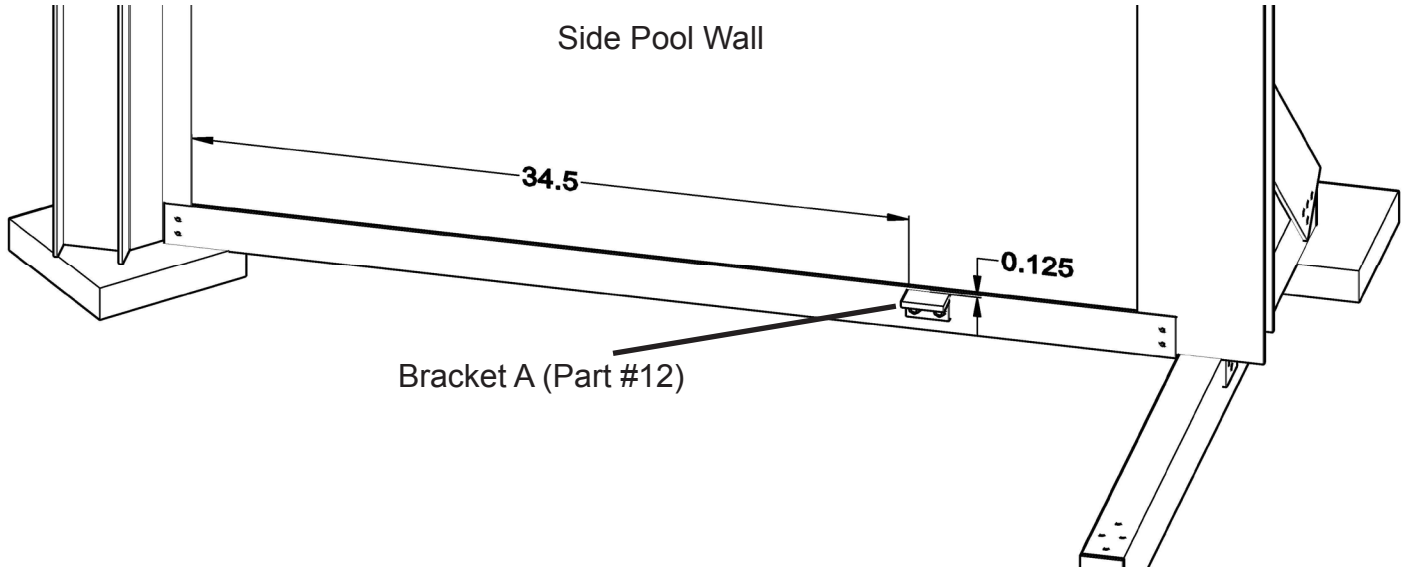
Temporarily remove four Pressure Plates from under where Stairs will be placed according to the illustration.



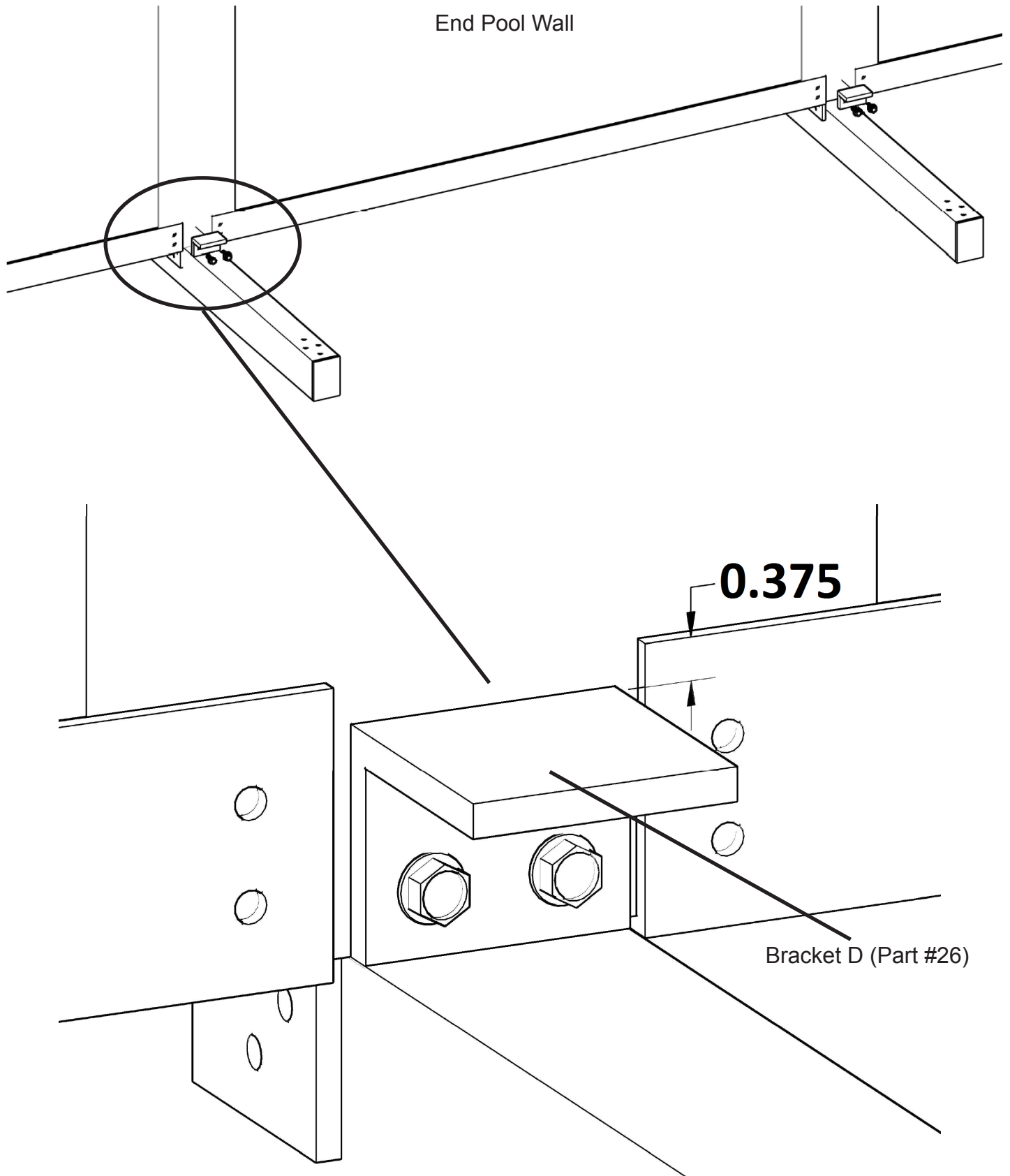
STEP 2

Fastening Brackets A to Pool's Bottom Horizontal Channels

Pre-drill 11/64" openings in the two Bottom Horizontal Channels of the Pool through the guiding 0.25" openings of the Brackets A for screwing 1" Self-Tapping Screws. Fasten Bracket A to the Pool's Bottom Horizontal Channel on the right hand by using 1" Self-Tapping Screws according to the picture below. Then, repeat this process on the left hand Pool's side.



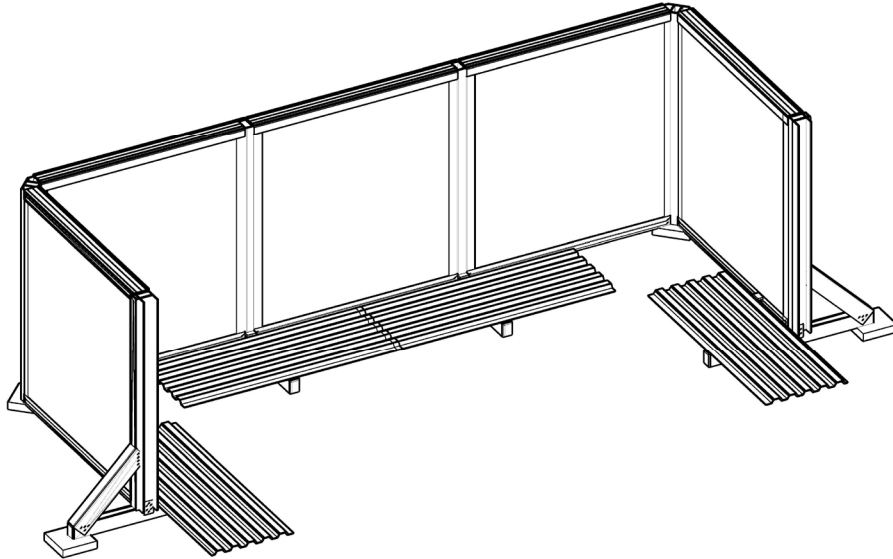
Pre-drill 11/64" openings in the Vertical Buttresses of the Pool through the guiding 0.25" openings of the Brackets B for screwing 1" Self-Tapping Screws. Attach one Bracket B to each Pool's Vertical Buttress according to the picture.



STEP 3

Reattaching four Pool's Pressure Plates

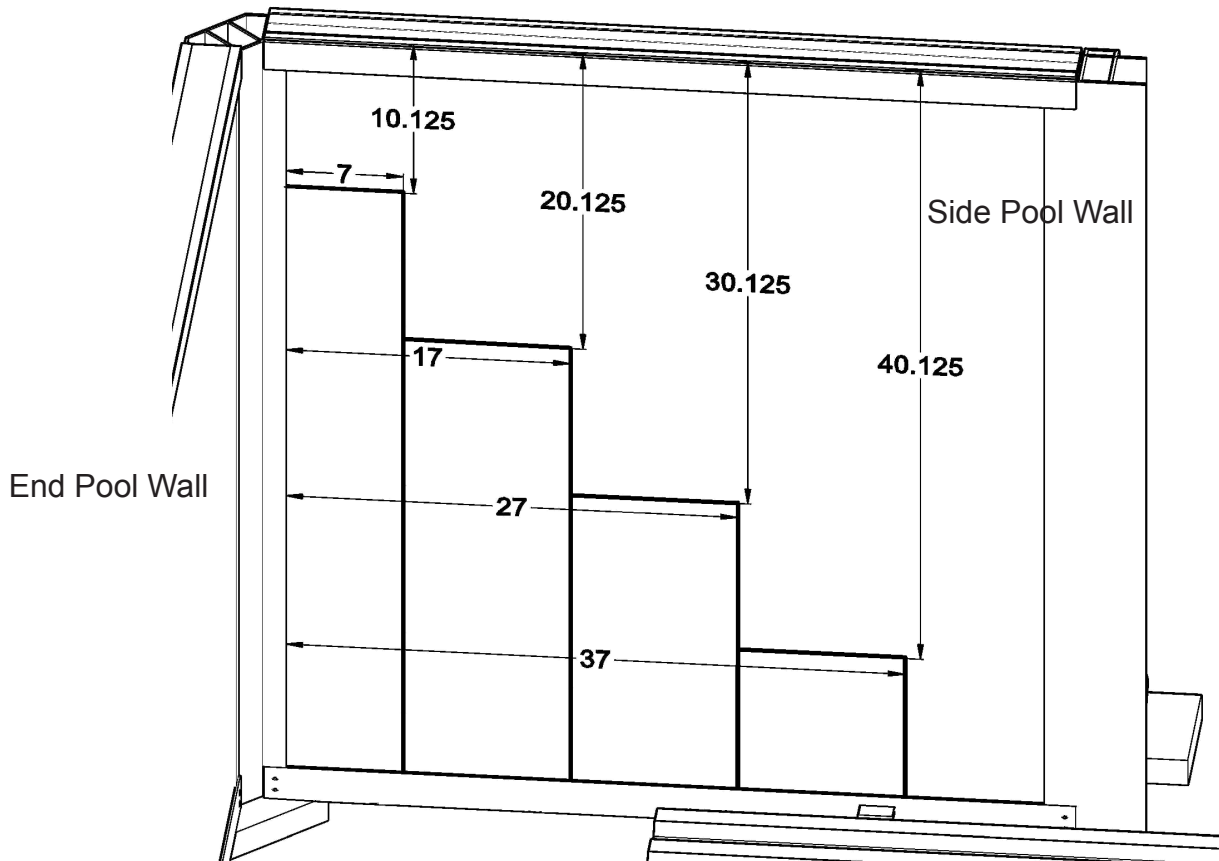
Reattach four Pressure Plates and refill some dirt to fully cover these four Pressure Plates.



STEP 4

Drawing grid lines on Pool's Wall Panels

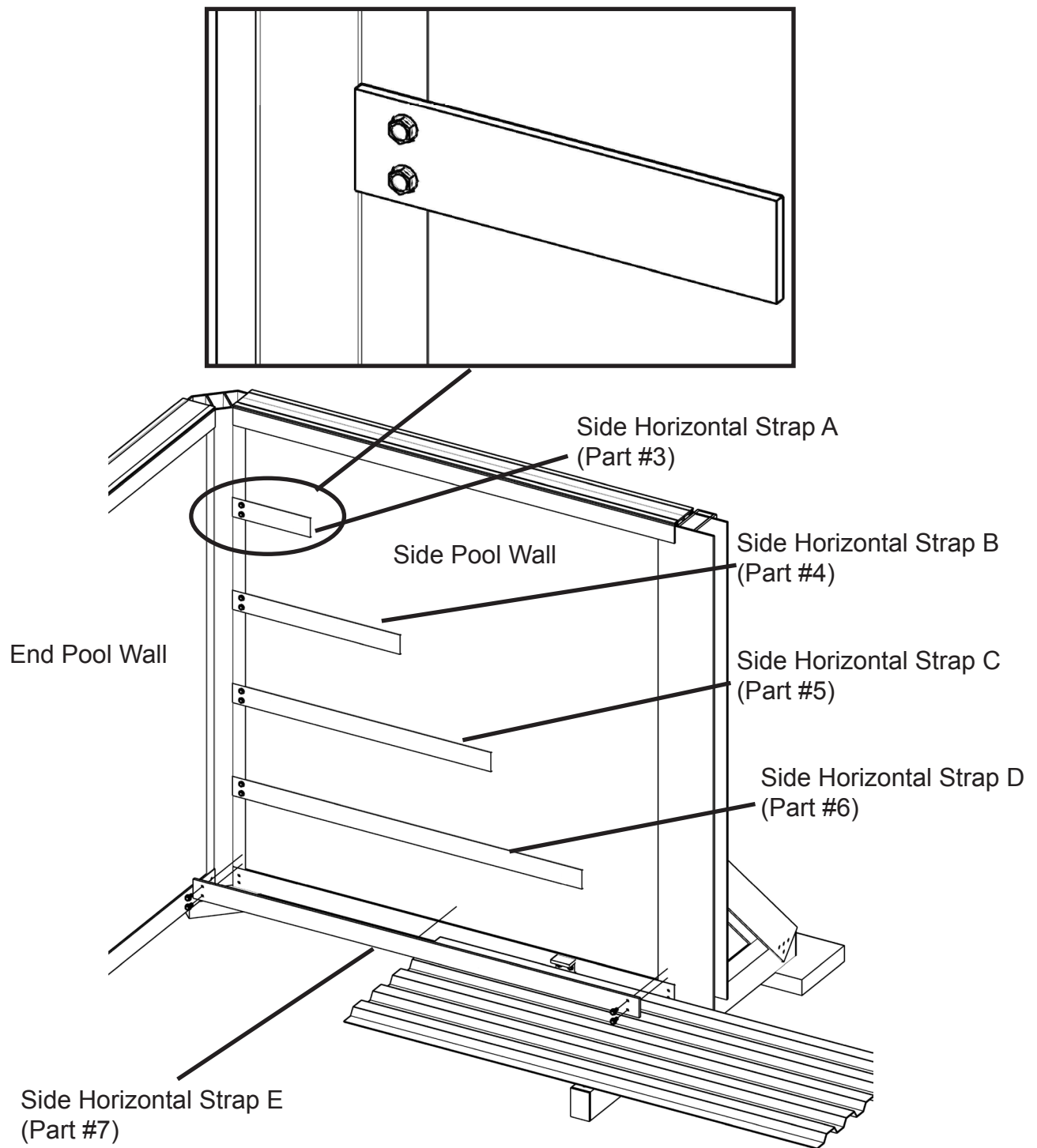
Draw ten horizontal and eight vertical grid lines on the two inside sides of the Pool's opposite Side Wall Panels by using a black marker as pictured.



STEP 5

Attaching Side Horizontal Straps

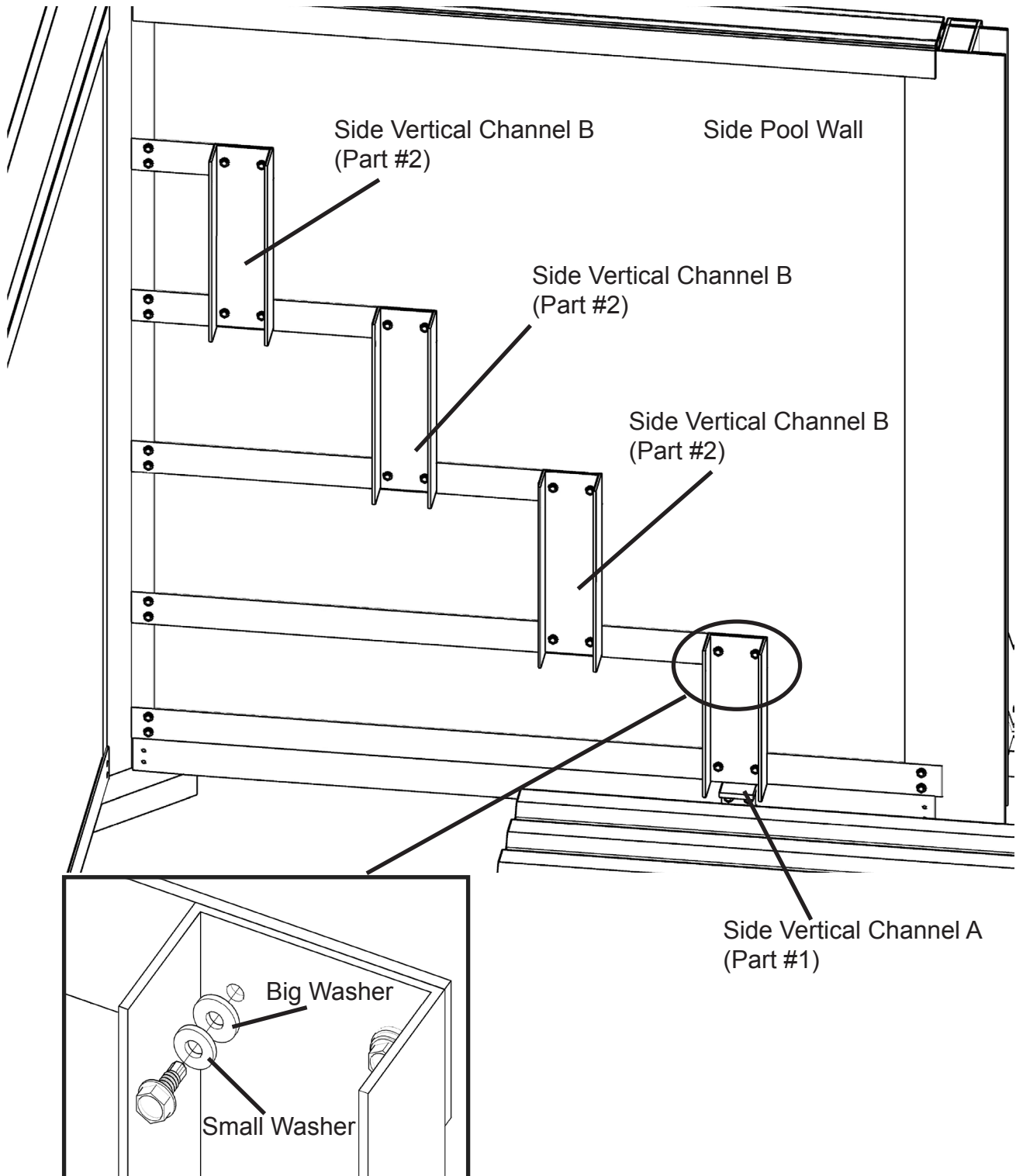
Pre-drill 11/64" openings in the wing of the Right Corner Post and Vertical Buttress of the Pool through the guiding 0.25" openings of the Side Horizontal Straps (located at the ends of the Side Horizontal Straps) for screwing 1" Self-Tapping Screws. Attach five Side Horizontal Straps A, B, C, D, E to the wing of the right Corner Post and right Side Wall Panel of the Pool just under the horizontal lines preliminary drawn. Fix one end of the lowest Side Horizontal Strap E to the wing of the Vertical Buttress of the Pool by using 1" Self-Tapping Screws in accordance with the picture. Then, repeat this process on the left hand Pool's side.



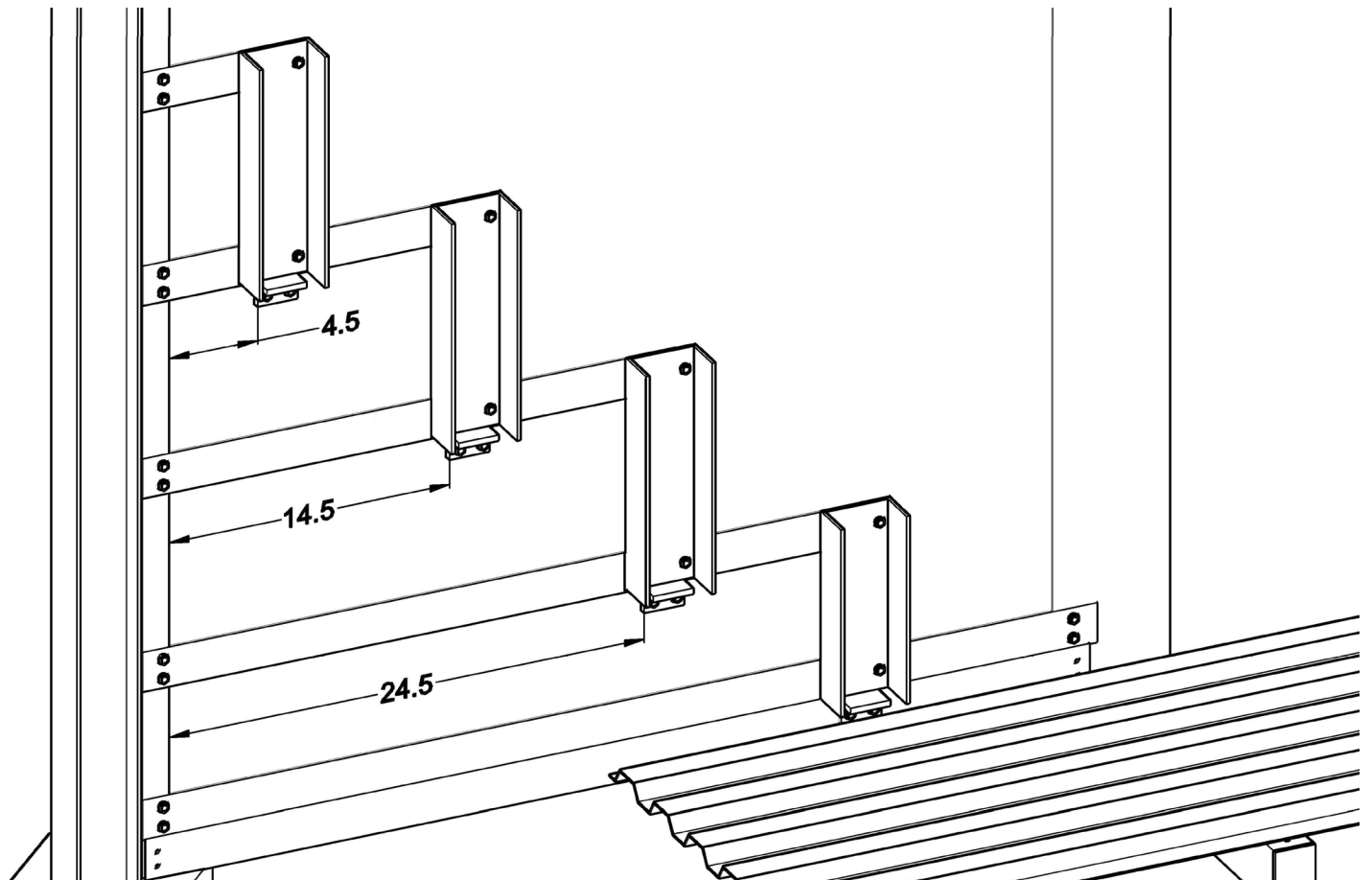
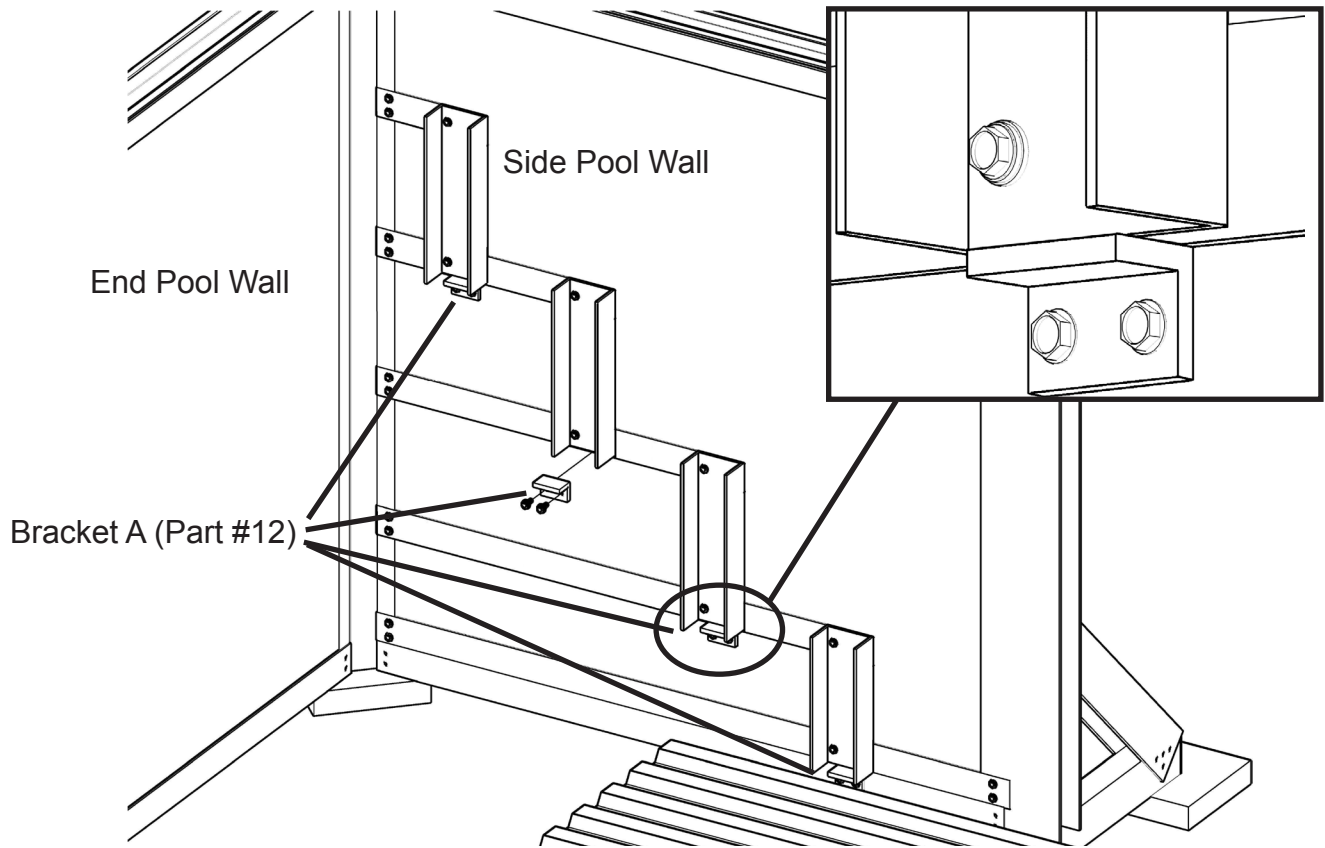
STEP 6

Attaching Side Vertical Channels and Brackets A

Pre-drill 11/64" openings through the guiding 0.25" openings of the Side Vertical Channels A and B on the right hand Pool's Side for screwing 1" Self-Tapping Screws. Connect one Side Vertical Channel A and three Side Vertical Channels B with five Side Horizontal Straps A, B, C, D, E previously attached by using the vertical grid lines preliminary drawn as your reference lines and utilizing 1" Self-Tapping Screws and one small and one big washers for each screw according to the picture. Then, repeat this process on the left hand Pool's side.



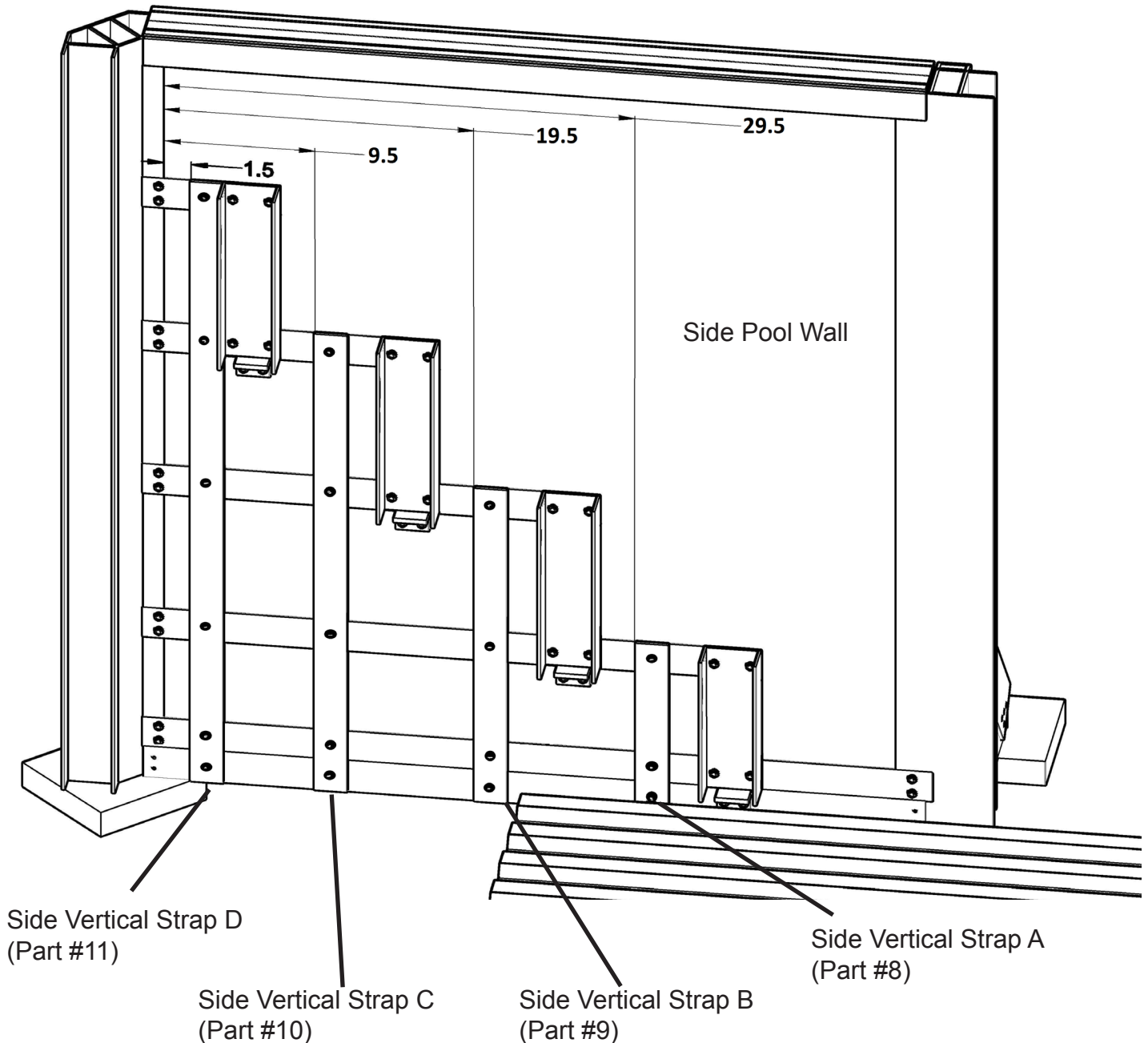
Connect three Brackets A with the right Side Wall Panel of the Pool just below the Side Horizontal Straps A, B, C, D approximately in the middle of the inside of the Side Vertical Channels A and B as pictured. Then, repeat this process on the left hand Pool's side.



STEP 7

Attaching Side Vertical Straps

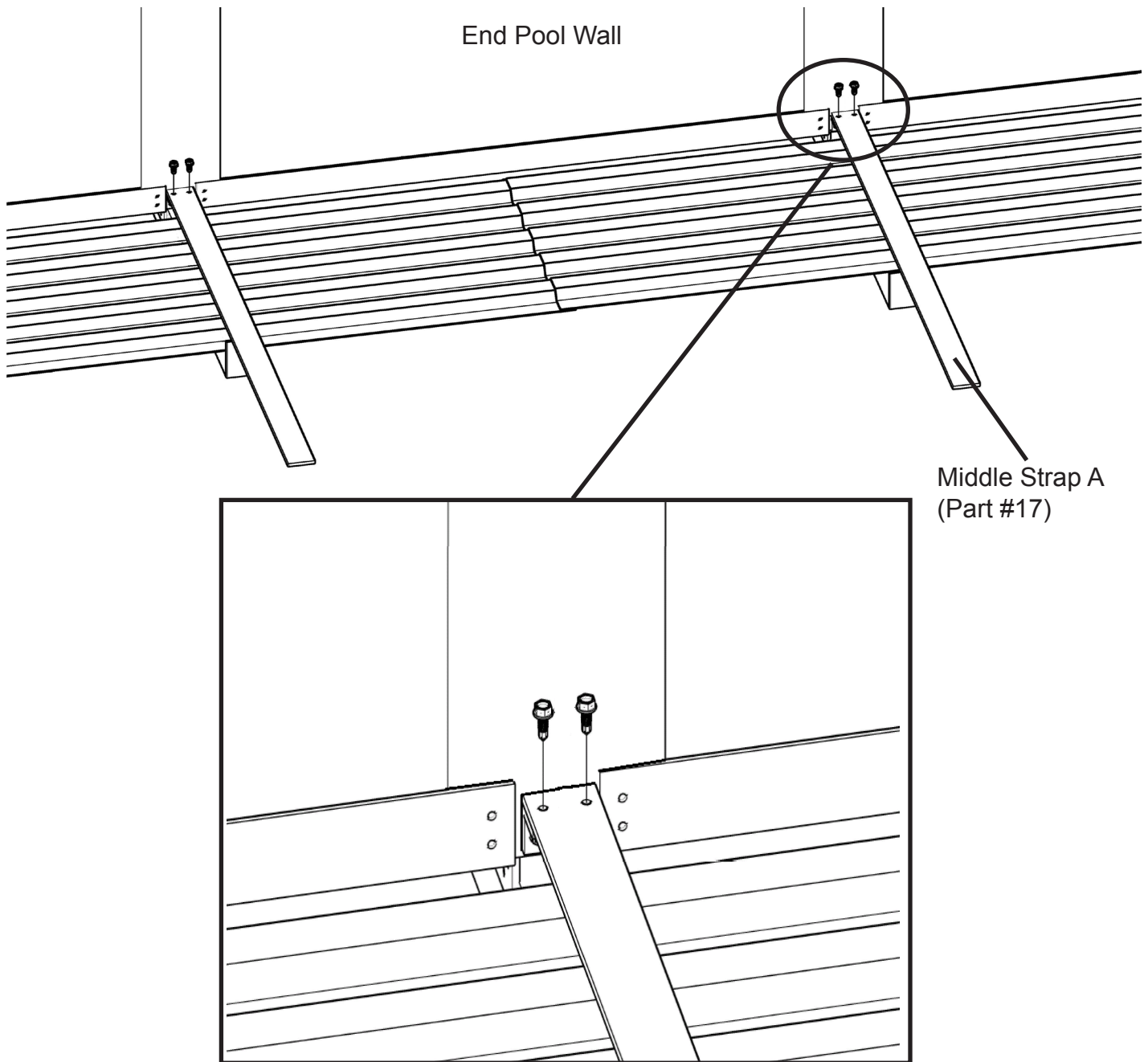
Place Side Vertical Straps onto Side Horizontal Straps and mark the holes for connecting Side Vertical Straps with Side Horizontal Straps by black marker. Pre-drill these marked 0.25" guiding openings in the four Side Vertical Straps A, B, C, D on the right hand Pool's Side for screwing 1" Self-Tapping Screws through these guiding openings into Side Horizontal Straps and Pool's Side Wall Panels. Attach four Side Vertical Straps A, B, C, D to Side Horizontal Straps A, B, C, D, E previously attached on the right hand Side Wall Panel by using 1" Self-Tapping Screws according to the picture. Side Vertical Straps A, B, C should be put between the Side Vertical Channels A and B approximately in the middle (please follow the approximate dimensions given). Then, repeat this process on the left hand Pool's side.



STEP 8

Attaching the lowest Middle Strap A to Bracket B

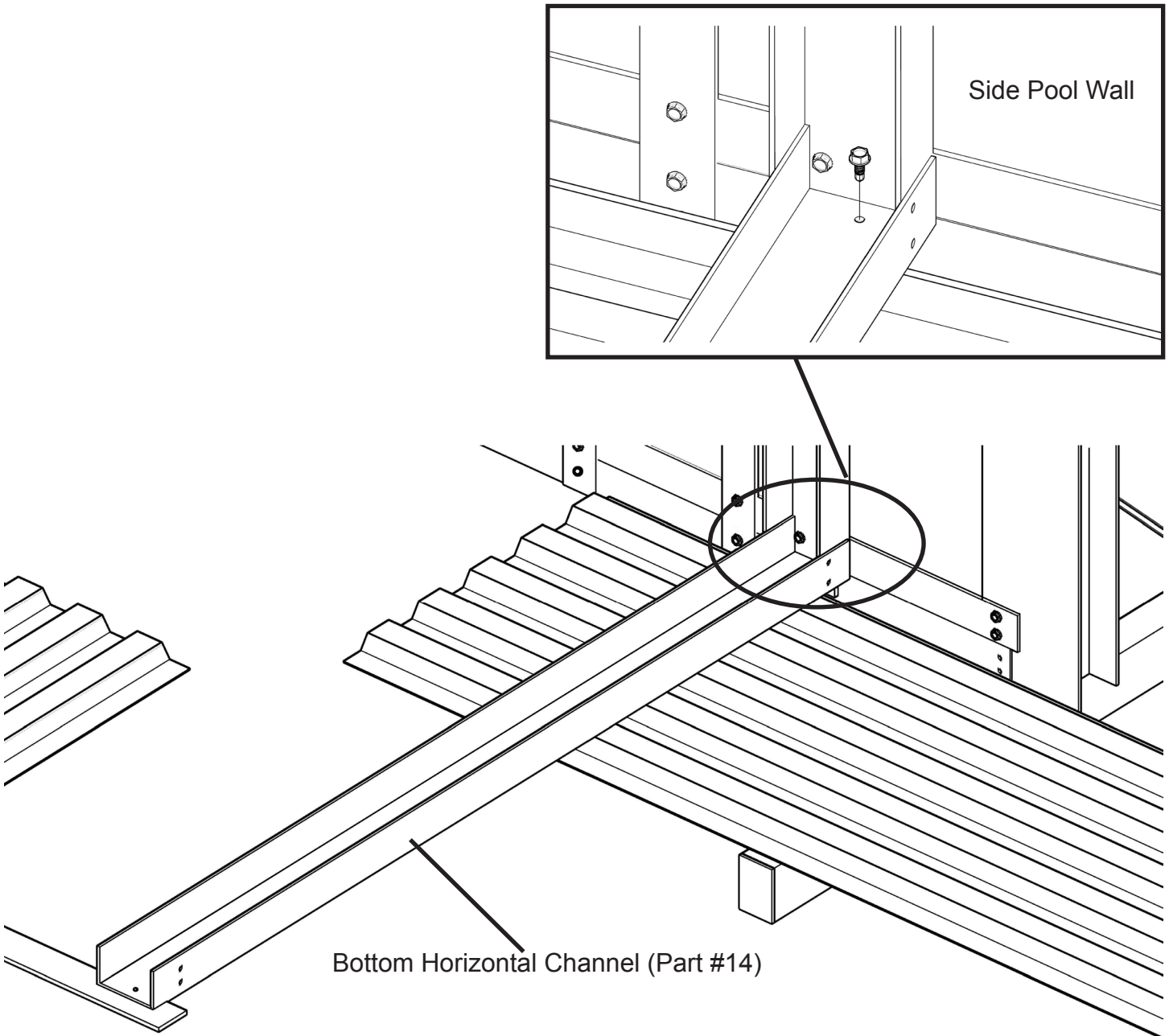
Attach the lowest Middle Strap A to Bracket B, connected with each Vertical Buttress of the Pool by using 1" Self-Tapping Screws according to the picture.



STEP 9

Attaching Bottom Horizontal Channels

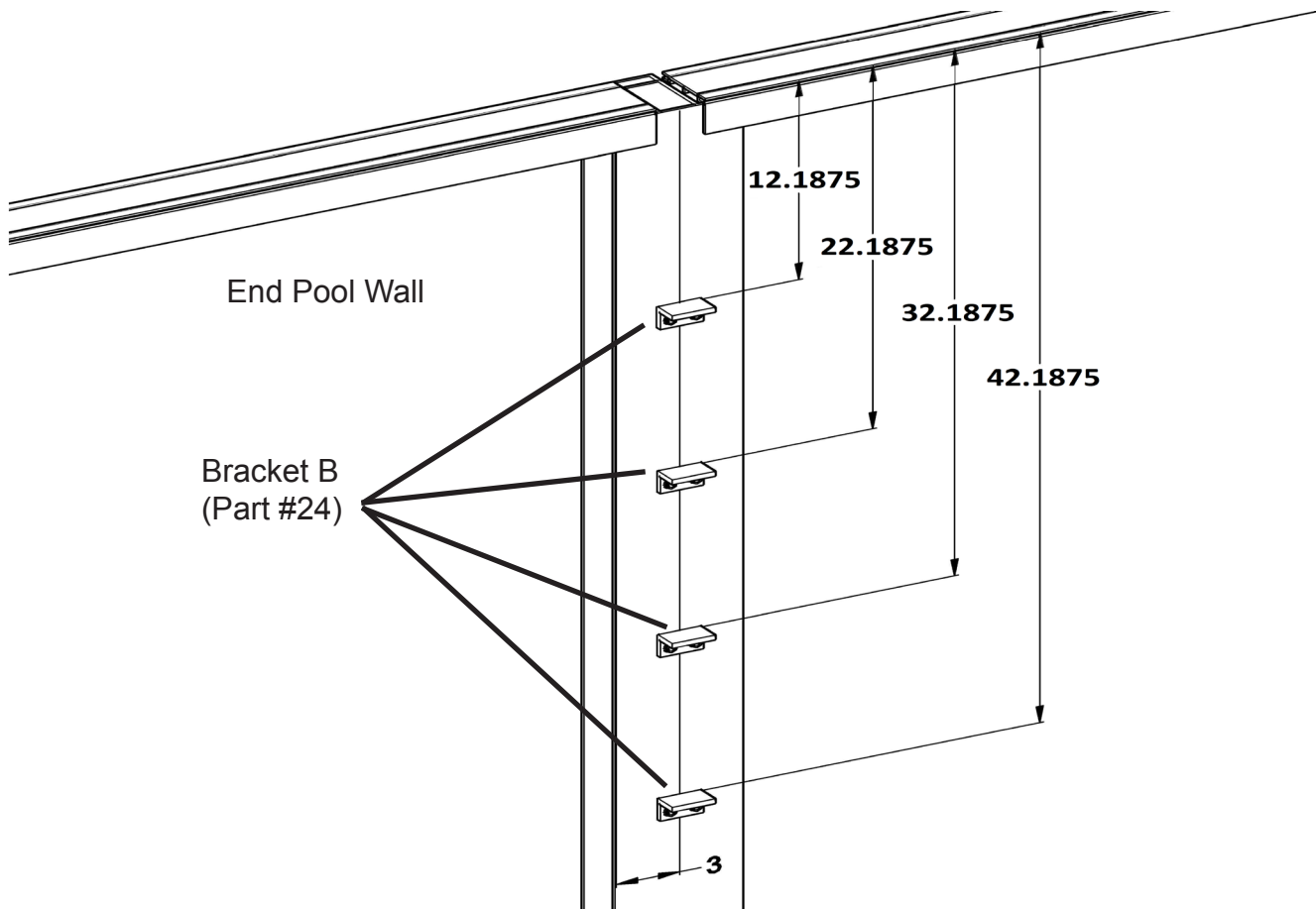
Pre-drill $11/64$ " openings through the guiding 0.25 " openings of the Bottom Horizontal Channels for screwing 1" Self-Tapping Screws. Fix two Bottom Horizontal Channels (one Left and one Right) to two Brackets A on the left and right hand Side Pool Walls by using two 1" Self-Tapping Screws in accordance with the picture. Make sure that these two Bottom Horizontal Channels are level by putting some crushed stones (not provided) under these two Bottom Horizontal Channels to remove the gap between these two Bottom Horizontal Channels and dirt.



STEP 10

Fastening Brackets B to Pool's Vertical Buttress

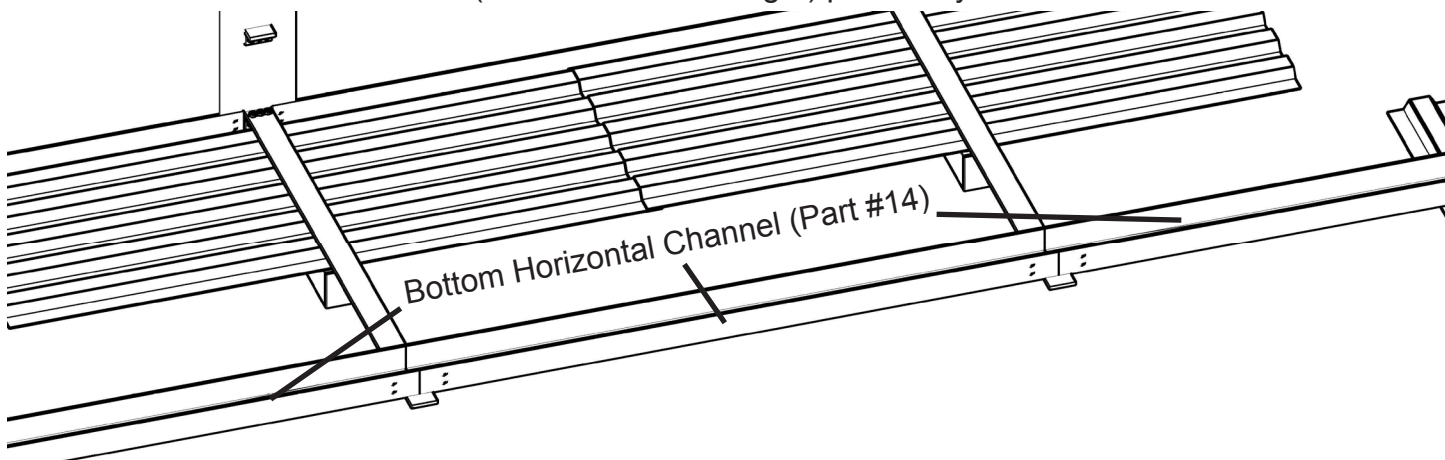
Before fastening Brackets B to the Pool's Vertical Buttress, use a carpenter's level across the straps to make sure that all Middle Straps are level from the Middle Vertical Post's Brackets B to the Pool's Vertical Buttress Brackets B. Attach four Brackets B to each Vertical Buttress of the Pool in the middle by using eight 1" Self-Tapping Screws in accordance with the picture.



STEP 11

Attaching Bottom Horizontal Channels for Stairs bigger than 9' in length

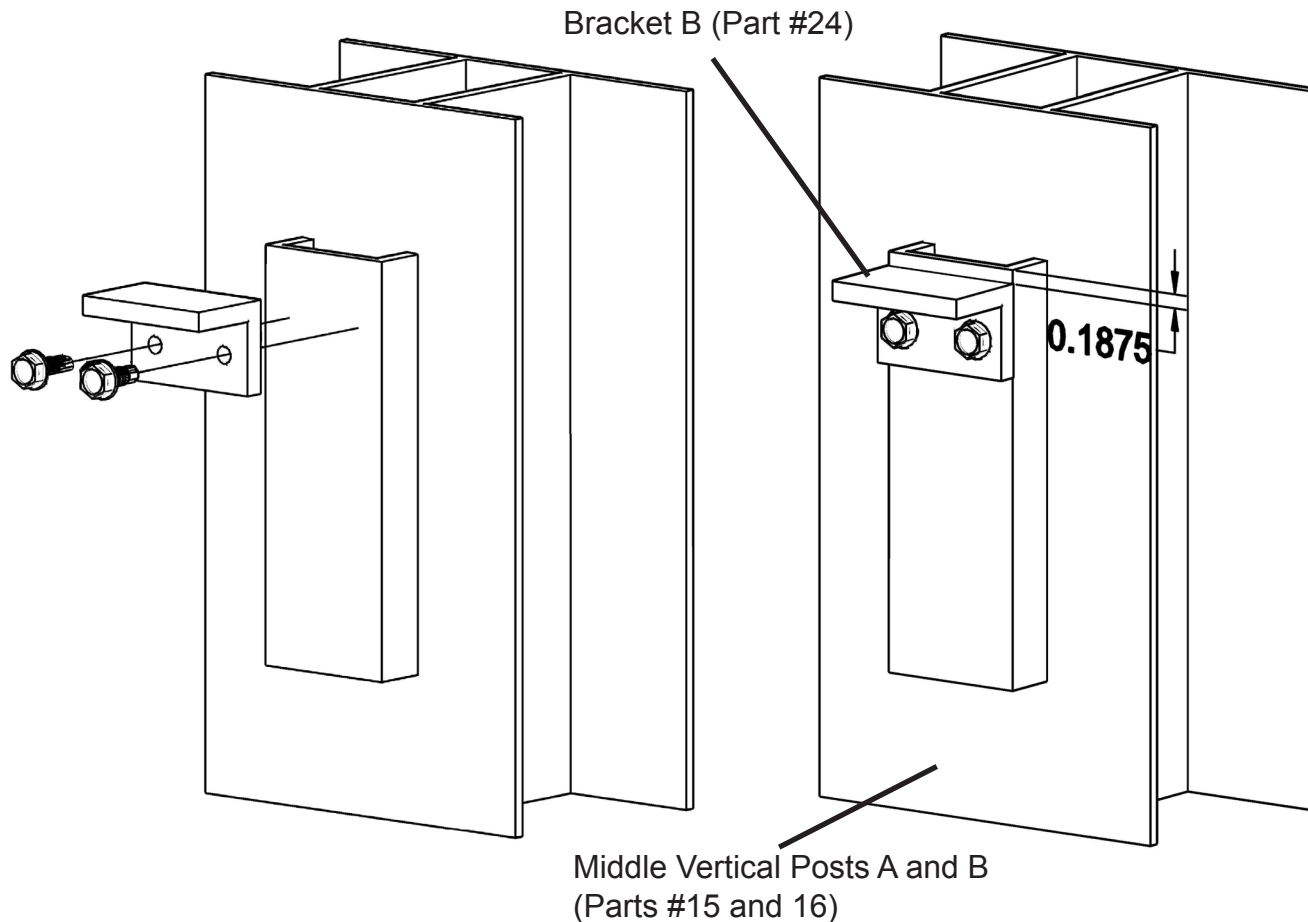
For the Stairs that are bigger than 9', place one (or more if need be according to the size of the Stairs) Bottom Horizontal Channel (Middle) onto some crushed stones (not provided) to make it level with the two Bottom Horizontal Channels (one Left and one Right) previously installed.



STEP 12

Attaching Brackets B to Middle Vertical Posts

Attach one Bracket B to the nipple side of each Middle Vertical Post A and B at the same level for all Middle Vertical Posts A and B according to the picture (**in advance before installing all the Middle Vertical Posts A and B**).



STEP 13

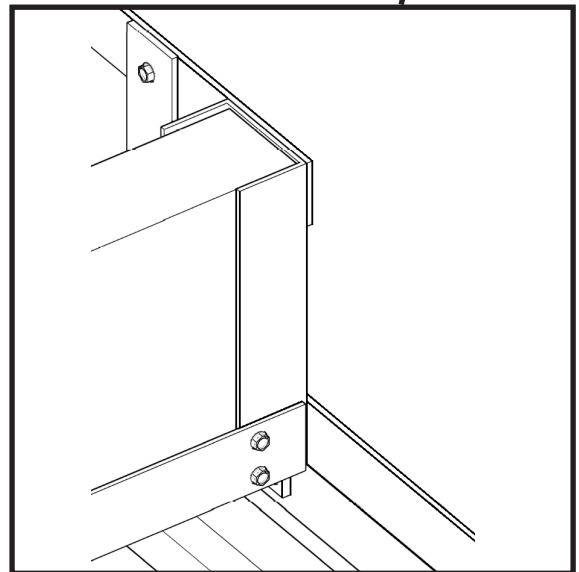
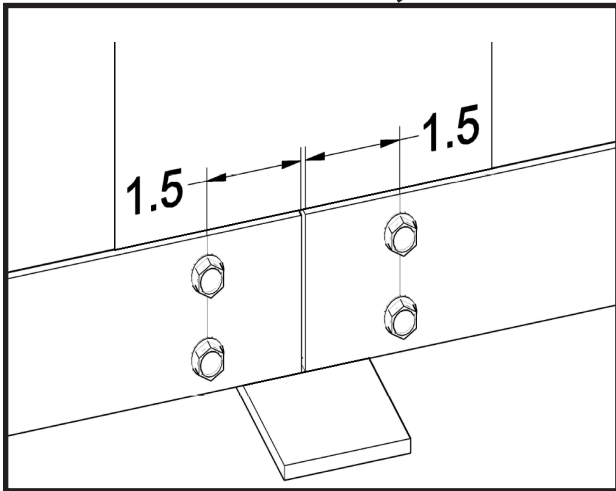
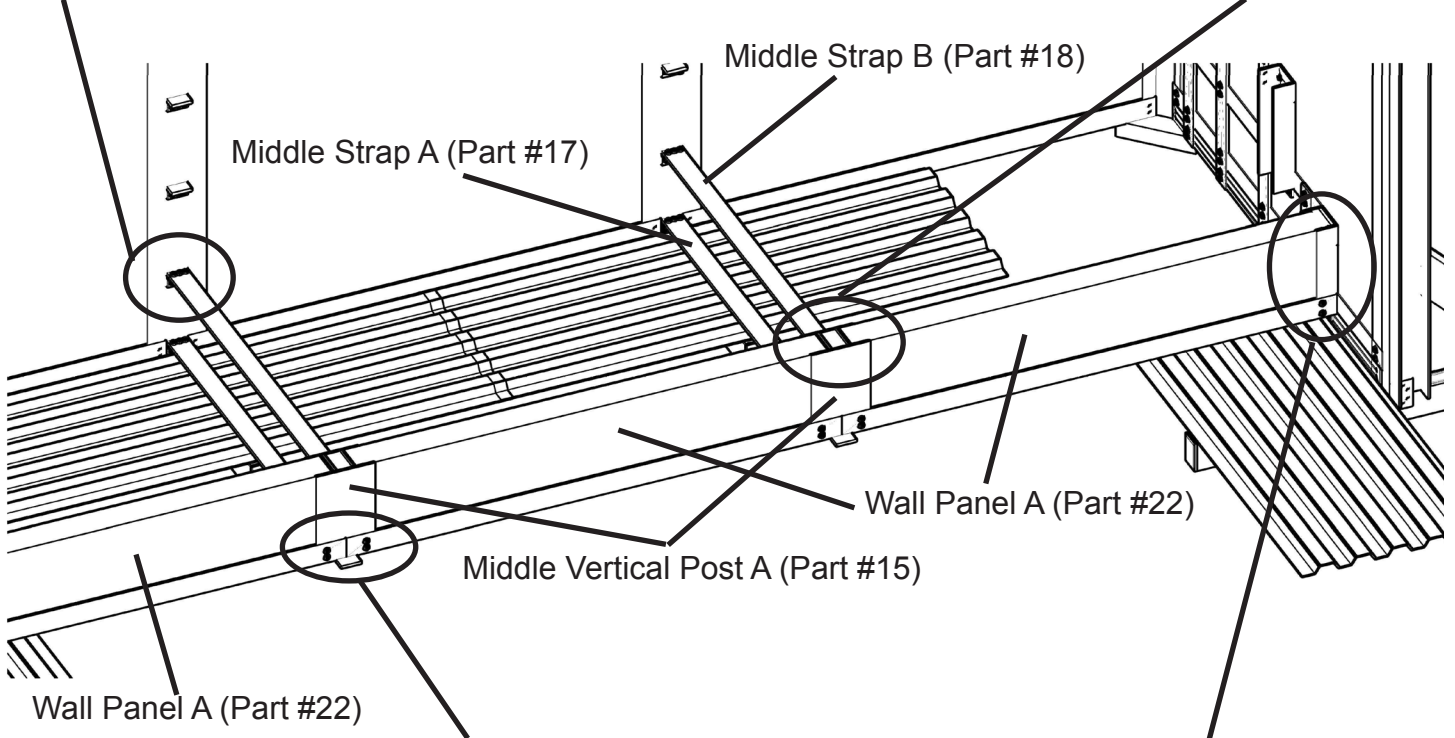
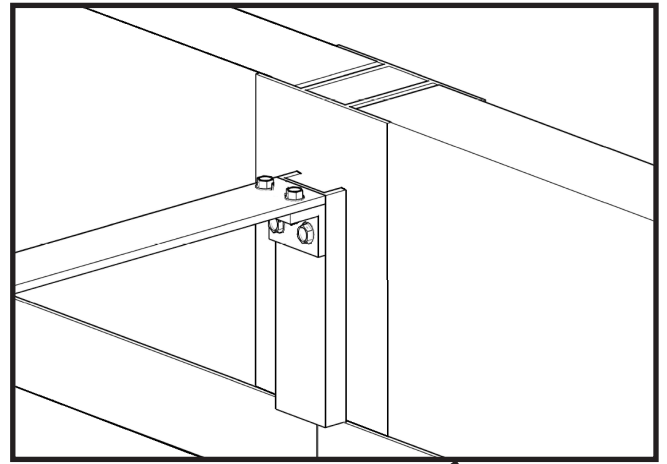
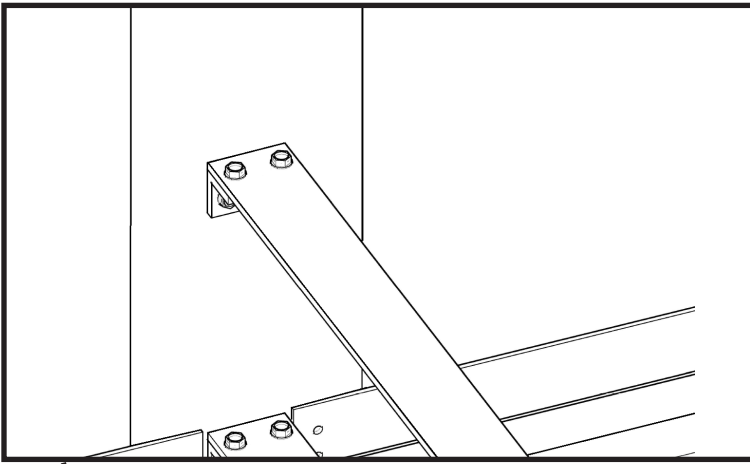
Assembling the lowest tier of the Stairs

Connect one Middle Strap B with Bracket B attached to each Vertical Buttruss of the Pool at the second level by using two 1" Self-Tapping Screws according to the picture.

Next, assemble the lowest tier of the Stairs by mounting Middle Vertical Post A between each pair of Bottom Horizontal Channels and inserting Wall Panels A into Middle Vertical Posts A and Bottom Horizontal Channels. Connect all of these parts together by using 1" Self-Tapping Screws in accordance with the picture.

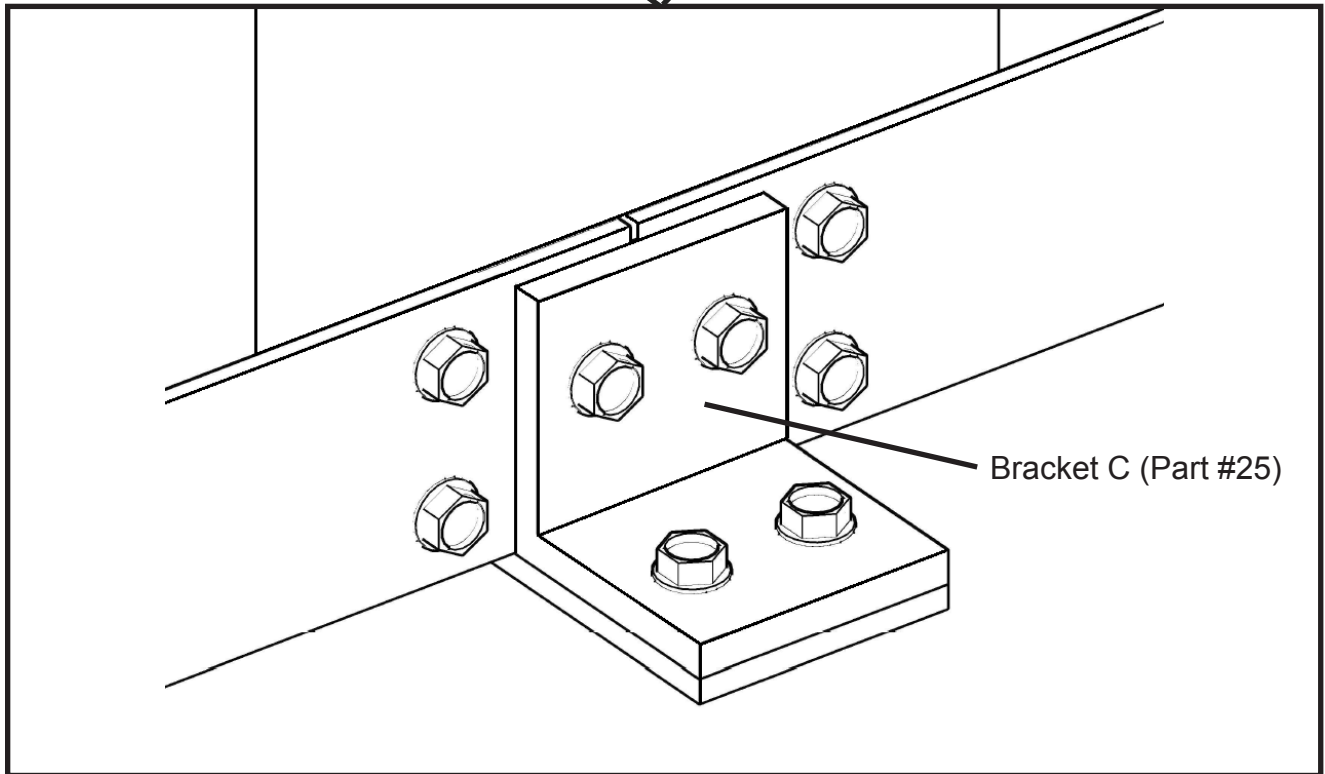
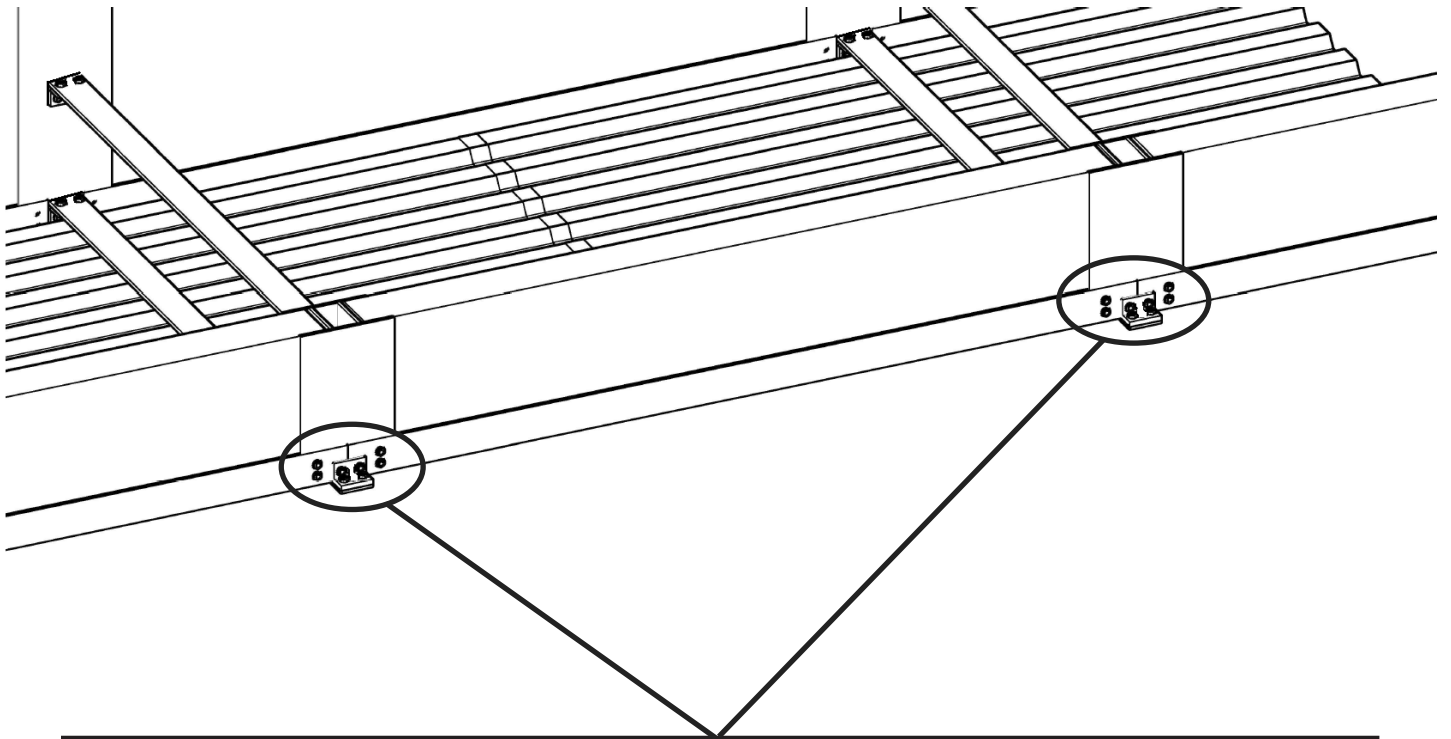
Note: When placing each Middle Vertical Post A, attach one Middle Strap B (over) to Bracket B located on the nipple of each Middle Vertical Post A by using two 1" Self-Tapping Screws according to the picture. Make sure that you placed all Wall Panels of the Stairs evenly in the middle between the Side Vertical Channels and Middle Vertical Post before final screwing (assembling) the tiers of the Stairs.

Back View

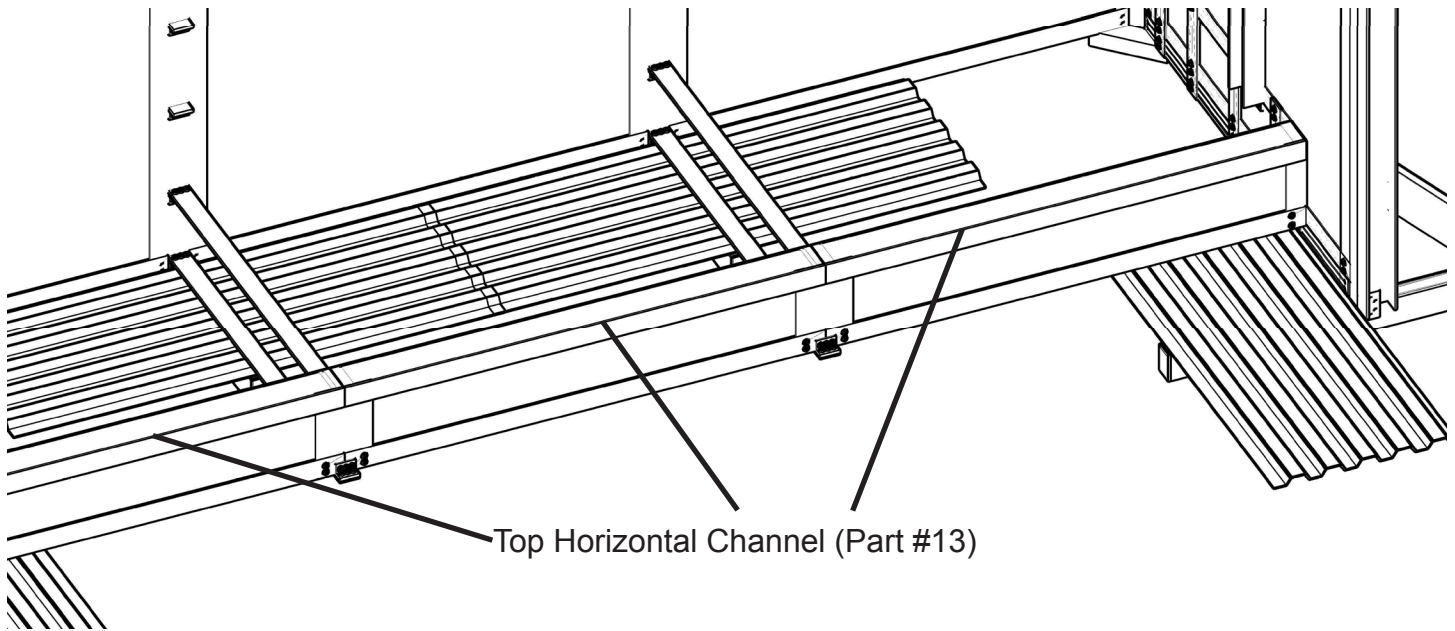


Predrill four 11/64" holes for connecting all Bottom Channels with all Middle Vertical Posts and screw four 1" screws.

Then, attach one Bracket C to the ends of the Bottom Horizontal Channels and each Middle Strap A by using four 1" Self-Tapping Screws as a whole in accordance with the picture.



Next, put some metal glue (not included) onto the inside surfaces of Top Horizontal Channels and place these Top Horizontal Channels onto Side Vertical Channels A, Middle Vertical Posts A and Wall Panels A. Fix these Top Horizontal Channels to the Side Vertical Channels A, Middle Vertical Posts A and Wall Panels A in accordance with the picture.



STEP 14

Duck Taping and filling with crushed stones

Before filling the lowest Step with crushed stones, duct tape the sheet of plastic [Part # 26] (Wall of the Pool and the lowest tier of the Stairs) inside the Stairs.

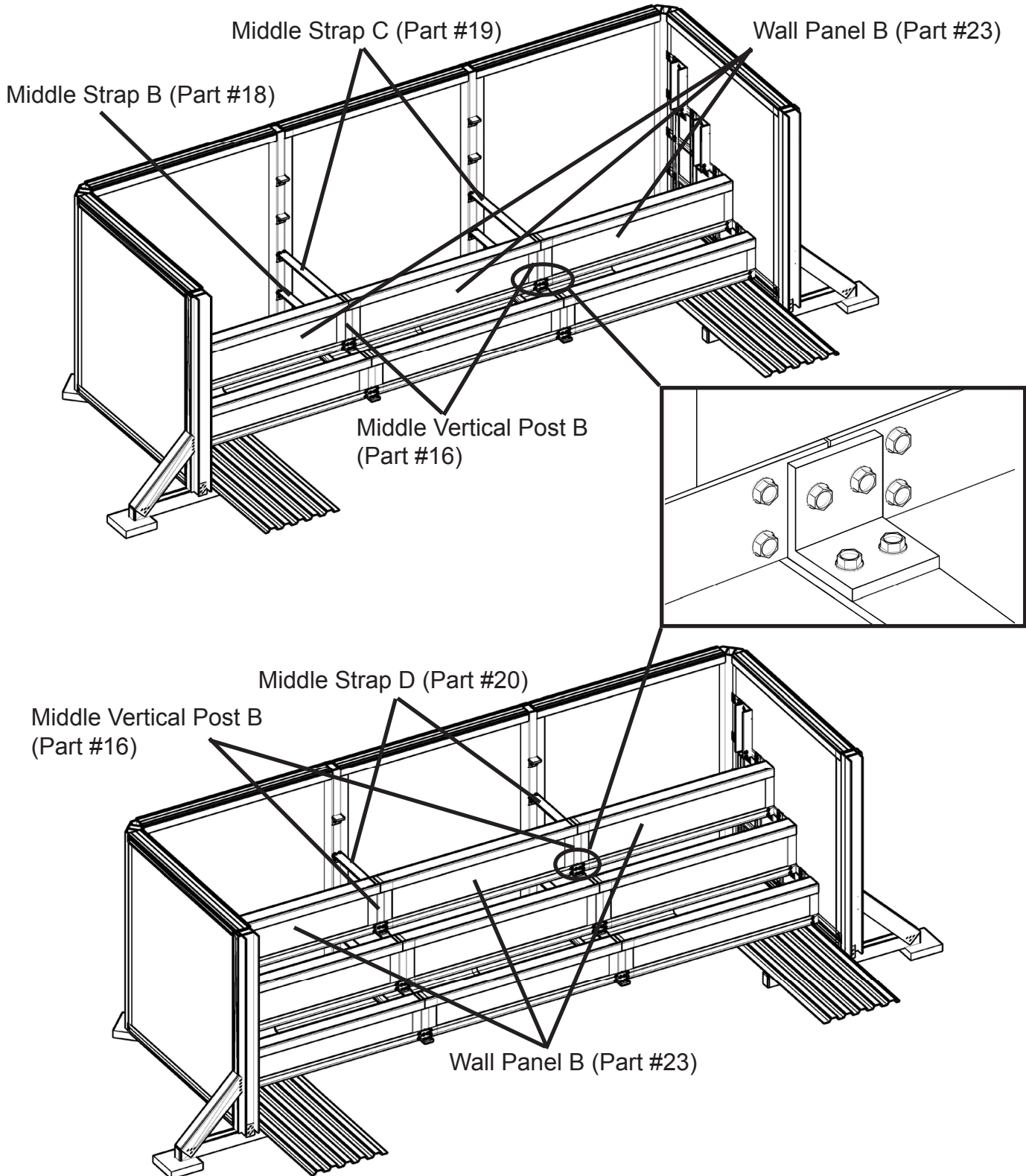
Place and duct tape it 6" up the inner wall and then lay it 6" over and across the dirt floor to prevent any stone from falling out.

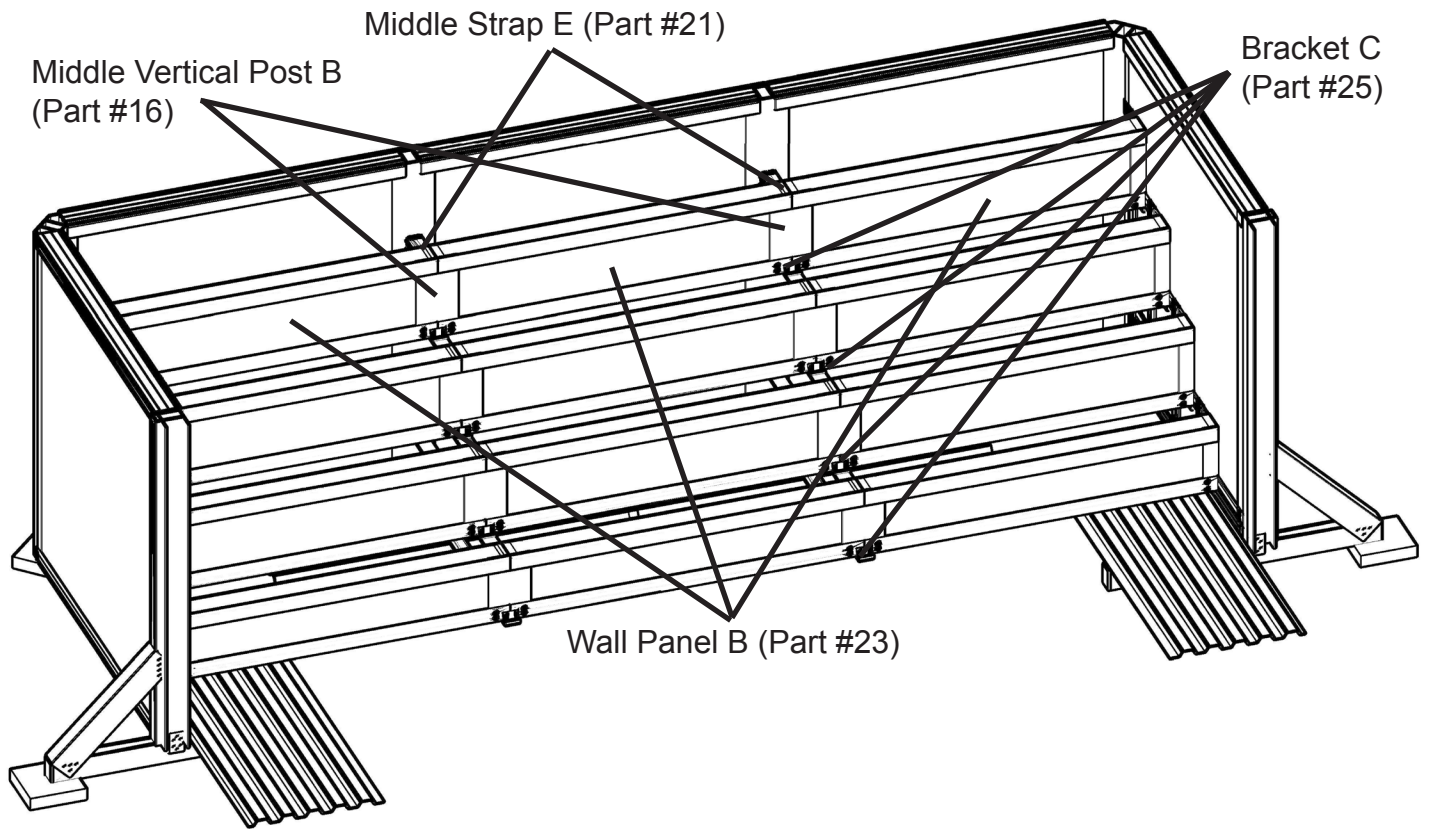
Then, fill the open step pocket from End Wall Panels of the Pool to the lowest tier of the Stairs with crushed stones at the level of approximately 2" below the top surface of Top Horizontal Channels. Crushed stones and duct tape are not provided.

STEP 15

Assembling the rest three tiers of the Stairs

Repeat Steps 9, 13 and 14 for assembling the rest three tiers of the Stairs by using Middle Vertical Posts B, Middle Straps B, C, D, E, Wall Panels B, Brackets B, Brackets C, Top Horizontal Channels and Bottom Horizontal Channels.





STEP 16

Cementing

Cement a 2" (approximately) top of vermiculite & cement mix over the crushed stones to level off all the steps.

STEP 17

Placing 1" floor padding

Lay down via Duct Tape a 1" floor padding over the entire steps' area.

STEP 18

Installing a rod-clip-pocket system

Install a rod-clip-pocket system (please see the link below).

https://youtu.be/JnClGv_67Z4

STEP 19

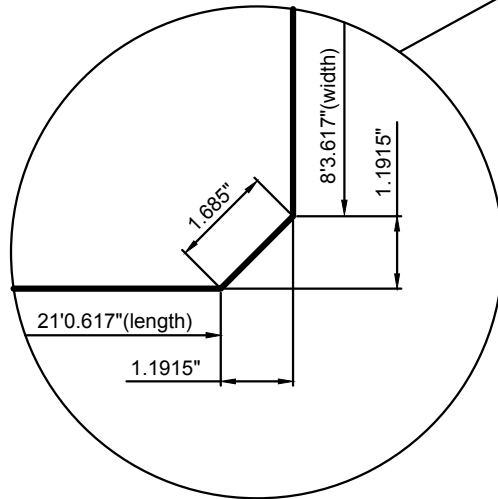
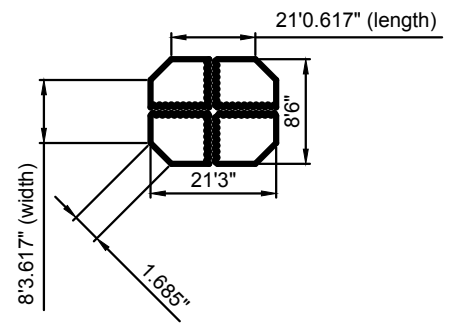
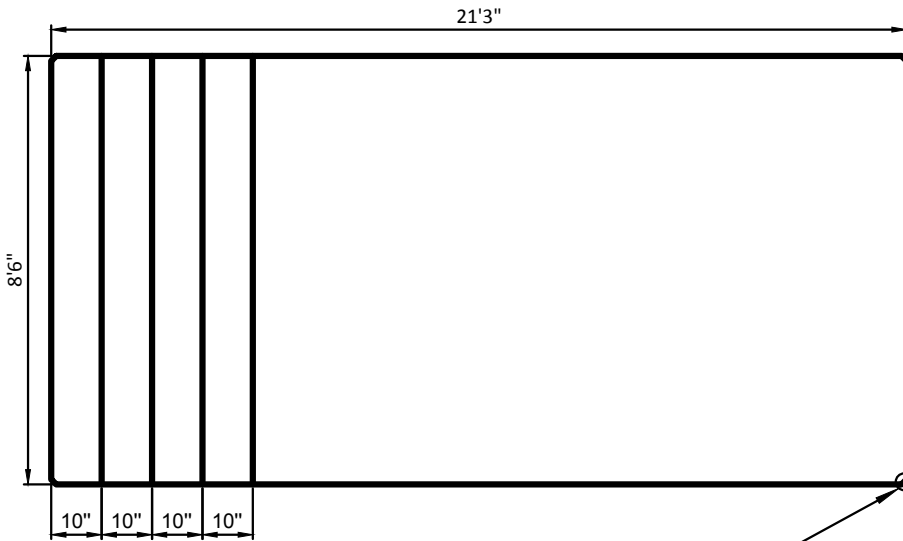
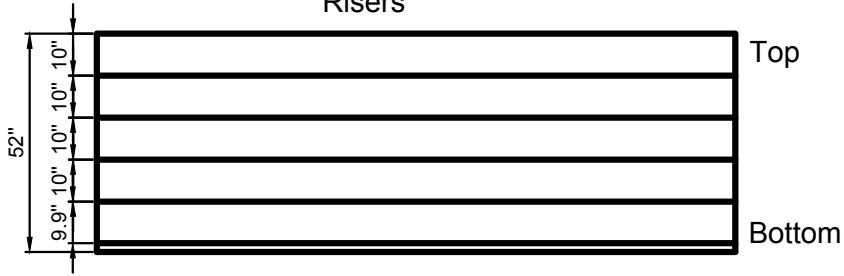
Installing liner

Follow the beaded pool liner installation instructions to install the end of the liner to the Top Ledge of the Pool.

Dimensions of Liners according to the sizes of the Stairs

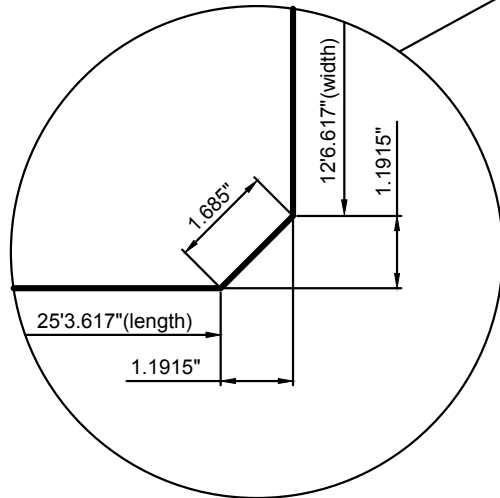
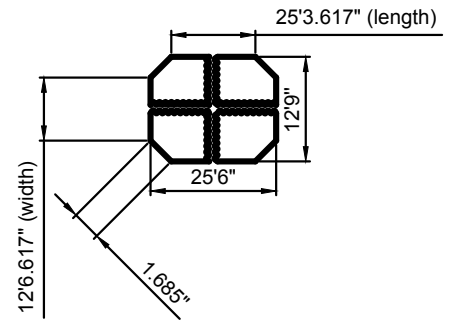
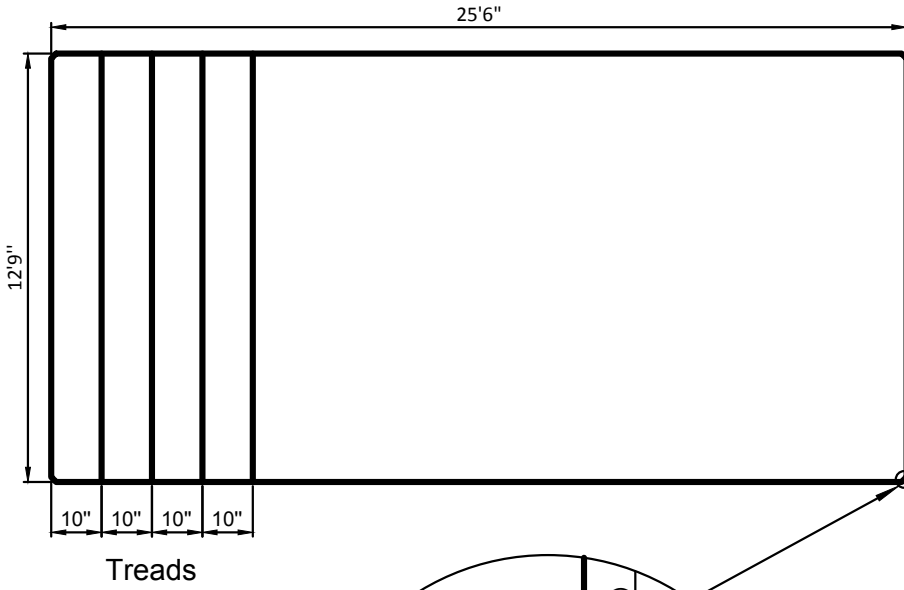
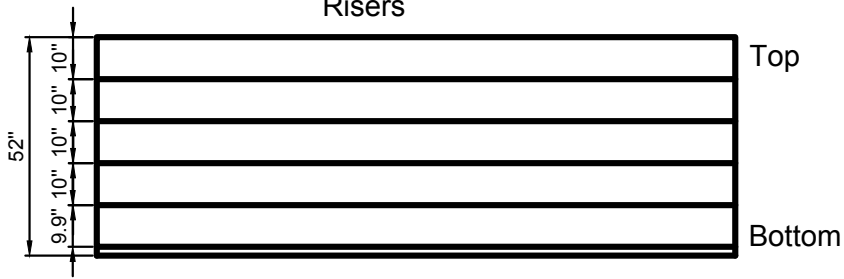
9' x 22'

Risers



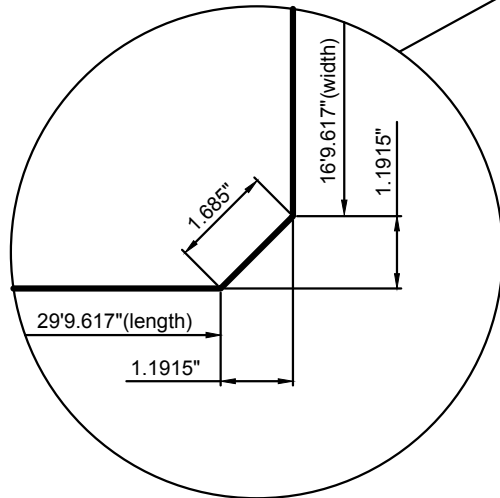
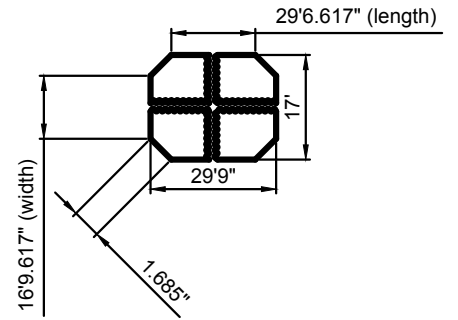
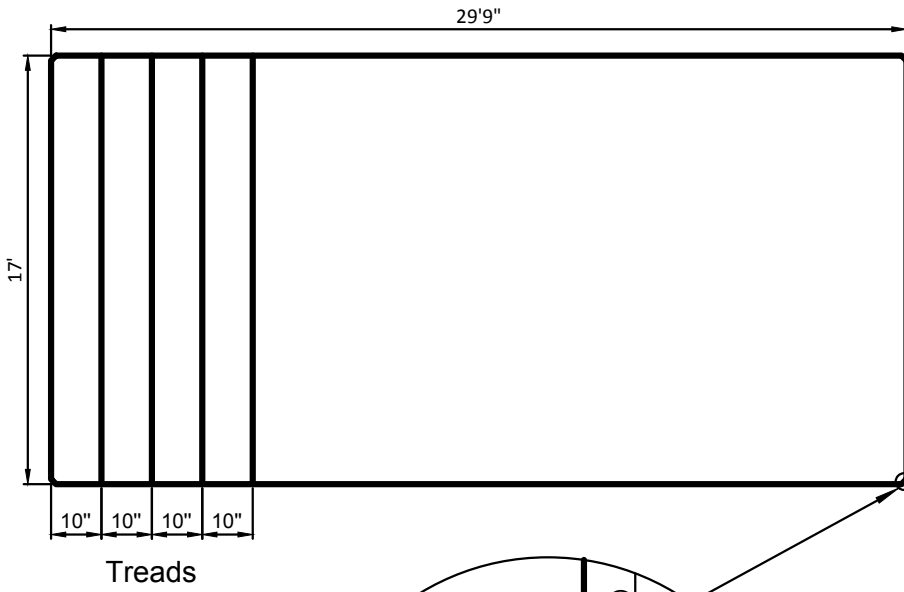
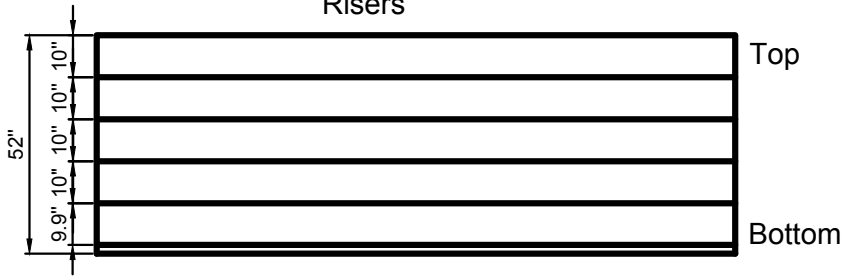
14' x 26'

Risers



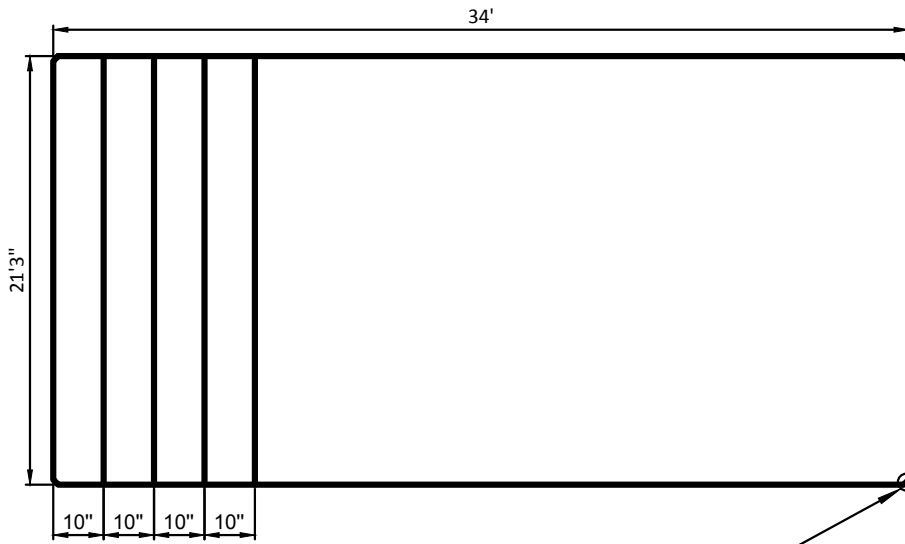
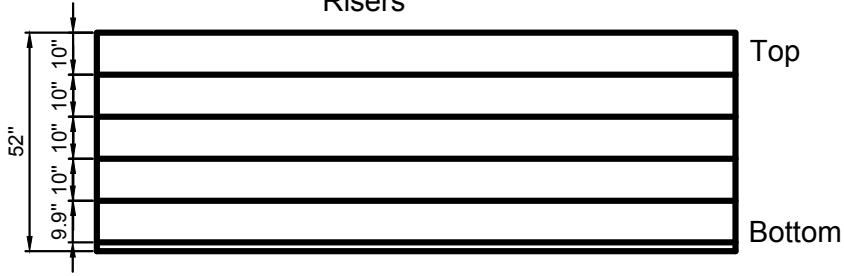
18' x 31'

Risers



22' x 35'

Risers



Treads

