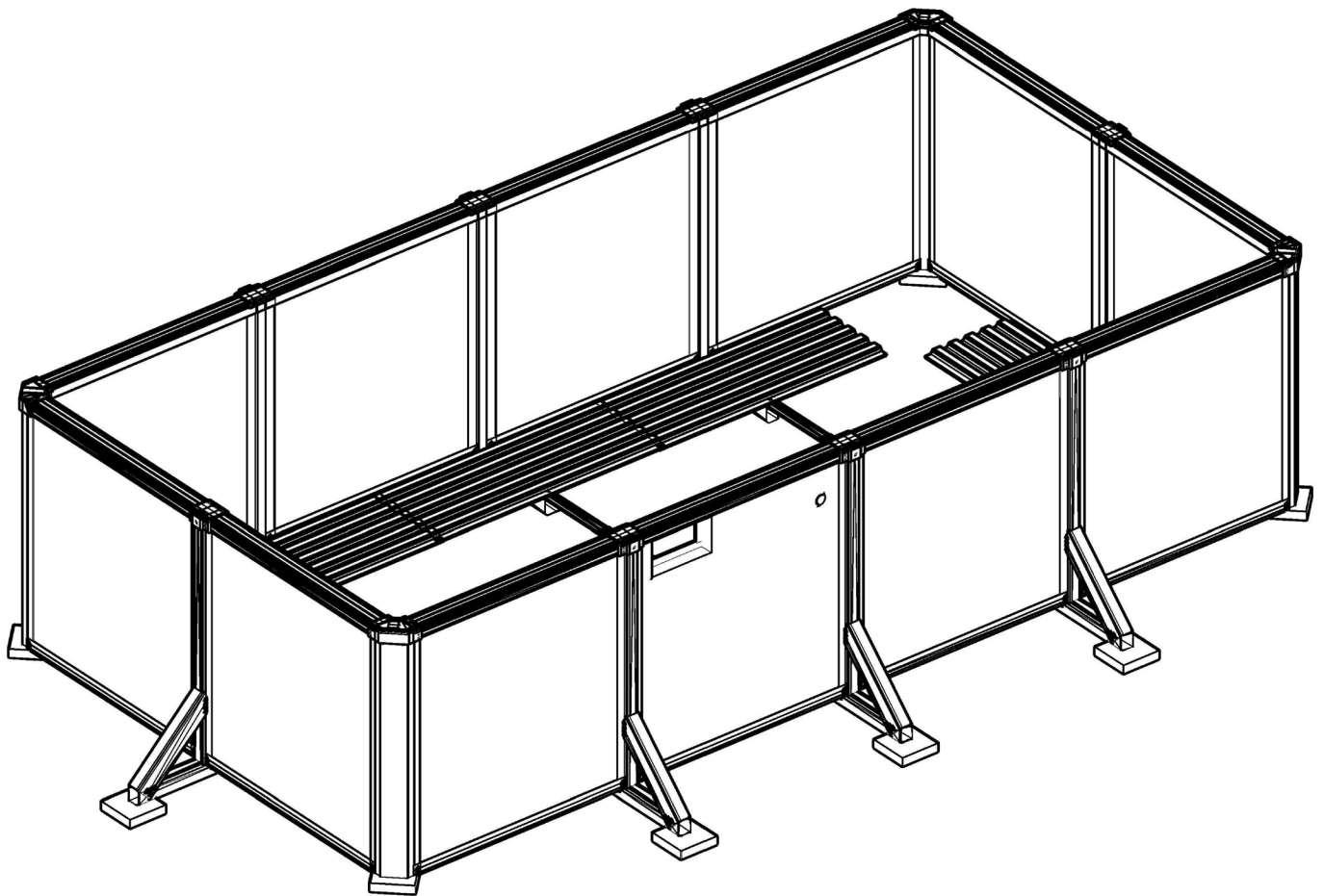




THE RECTANGLE POOL MODEL # 5500 INSTALLATION MANUAL



WARNING

WARNING

**THIS POOL IS NOT DESIGNED FOR DIVING OR JUMPING.
DANGEROUS INJURY CAN RESULT - SHALLOW WATER!!!**

Follow All Safety and Maintenance Instructions

Your pool is designed for years of pleasurable, safe family fun. But, when used incorrectly, a swimming pool can be dangerous. To insure your pool is used safely you must observe the following safety precautions:

1. Do not dive! - Do not jump! - No rough play! - No running or pushing!
2. Do not walk on the top ledge. It can be slippery and is not a walkway.
3. Be sure to install all safety labels provided with your pool according to the instructions.
4. Keep a safety rope 1/4" by 50' with a flotation buoy with an outside diameter of 15". Have accessible in a prominent area by your pool.
5. Post near all entrances to pool area a list of telephone numbers of the:
 - Nearest available police
 - Nearest available ambulance service
 - Nearest available hospital
 - Nearest available fire department
 - Nearest available physician
 - Nearest available rescue unit
 - 911 emergency number if available
6. Provide the fencing or enclosure which is independent of the house as a closure around the entire pool area. The fencing must be made of durable material, a minimum of 4' in height from the ground level and with closures with self-latching locks, to make your pool inaccessible to toddlers and uninvited guests. Make sure the gate is always closed.

Be sure to follow local building code requirements for load capacity and fencing if using an aftermarket or homebuilt deck. You must make sure all fencing and barriers are in working order so that pool is always protected.

7. Check with your local municipality for any special laws in your area. Never drink alcoholic beverages or use any intoxicants which could hinder your judgment and reflexes.
8. Never use your pool alone. All children must be supervised continuously.
9. Do not use your pool if the bottom is not clearly visible: At night, sufficient lighting must be available. It is solely the pool owner's responsibility to provide an adequate lighting for the pool bottom, safety signs and walkways, which exceeds minimum standards of the IES of North America.
10. Do not climb, stand or sit on any pool structure or the filter system. The components such as the filtration system, pumps and heater must be positioned so as to prevent their being used as a means of access to the pool by young children.
11. Be sure that all toys, chairs and tables or similar objects a young child could climb on be at least 4' from your pool.
12. Do not use your pool during electrical or rain storms.
13. See available Association of Pool & Spa Professional (APSP) publications for more tips on the pool safety.

IMPORTANT NOTICE! READ BEFORE INSTALLATION.

WARNING

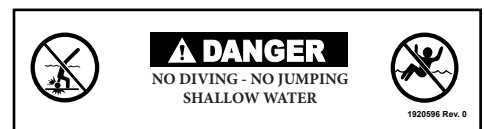
DO NOT AFFIX ANY OTHER PRODUCTS MADE BY OTHERS TO YOUR POOL SUCH AS, BUT NOT LIMITED TO, DECKS AND SLIDES!

ENCLOSED IN THE FRAME CARTON IS AN ENVELOPE CONTAINING SAFETY STICKERS, WHICH MUST BE INSTALLED AS PER THE FOLLOWING INSTRUCTIONS. FAILURE TO PROPERLY INSTALL WARNING LABELS WILL VOID WARRANTY. FAILURE TO MOUNT THESE SAFETY LABELS MAY SUBJECT YOU TO SUBSTANTIAL LIABILITY IN CASE OF INJURY.

THESE WARNINGS ARE NOT TO BE REMOVED UNDER ANY CIRCUMSTANCES! IF THEY BECOME DISCOLORED OR FALL OFF, PLEASE REQUEST REPLACEMENTS, WHICH WILL BE SENT AT NO CHARGE.



SIGN MUST BE PLACED ON THE WALL, NEXT TO THE POOL ENTRY.



SIGN TO BE PLACED ON THE INSIDE LIP OF THE TOP LEDGE.

INTRODUCTION

CONGRATULATIONS ON BECOMING THE OWNER OF A NEW SWIMMING POOL. THESE ARE INSTRUCTIONS FOR INSTALLING YOUR SWIMMING POOL. THE FOLLOWING ARE SOME HELPFUL HINTS YOU SHOULD TAKE INTO CONSIDERATION BEFORE INSTALLING YOUR POOL.

1. Read through the entire instruction booklet before you begin. This will enable you to exactly find out what is involved in installing your swimming pool before you begin.

2. **DO NOT ATTEMPT THE INSTALLATION IN WINDY OR GUSTY WEATHER.** This will not only make your installation more difficult, it may result in damage to your pool before it is completely installed.

3. Although we have broken down the installation into many simple steps, you will probably find that steps 1 to 4 will be the most labor-intensive and time-consuming. Once you have completed those four steps you should find that the rest of the installation moves along much more quickly.

4. Please be sure to review all the safety material and local codes before beginning your installation. There is a safety envelope packed with your pool. This envelope contains the safety material and warning stickers to be placed on your pool. If you are missing any of these items, please contact your dealer or the factory to obtain it. The warranty is void if all the safety precautions are not followed.

5. In the event you need to make a warranty claim, it is important to know about the size and model of your swimming pool in order to expedite the handling of your claim. Please fill in the information below and keep for your records. All of this information can be found on the labels attached to the cartons your pool is packed in.

6. Make sure you have all the necessary tools and materials before beginning your installation. Below is a list of the tools and materials needed.

7. The actual pool design may not be exactly as pictured on our web site or brochures. The Pool

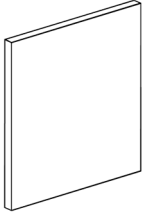
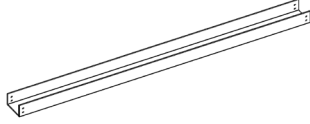
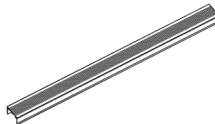
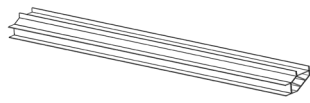
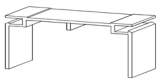
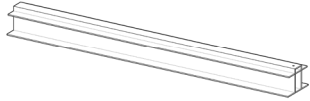
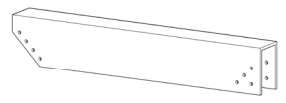
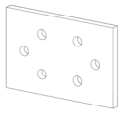
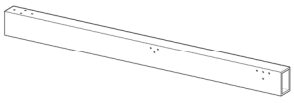

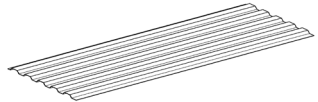
Factory, Inc. reserves the right to change and/or alter its pool designs at any time without advance notice.

Electrical grounding of any swimming pool is strictly required. Use licensed professionals for installing and electrical grounding your pool.

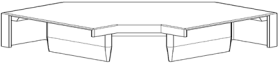
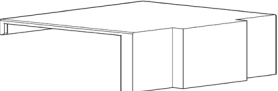
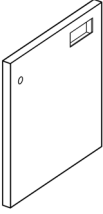
Tools and Materials Required:

- Excavator truck or rototiller, surveyor's tripod and transit level, carpenter level, tape measure, hand rake, ground shovel, round-pointed shovel, wheel barrel, electrical drill, 11/64" drill bit, impact gun with torque adjustment, 1/4" hex head socket, pool sand, patio blocks, duct tape, garden hose with a water hook up.
- Use a professional impact gun with torque adjustment for screwing all the self-tapping screws all over the pool by all means to avoid stripping aluminum and loosening the self-tapping screws.

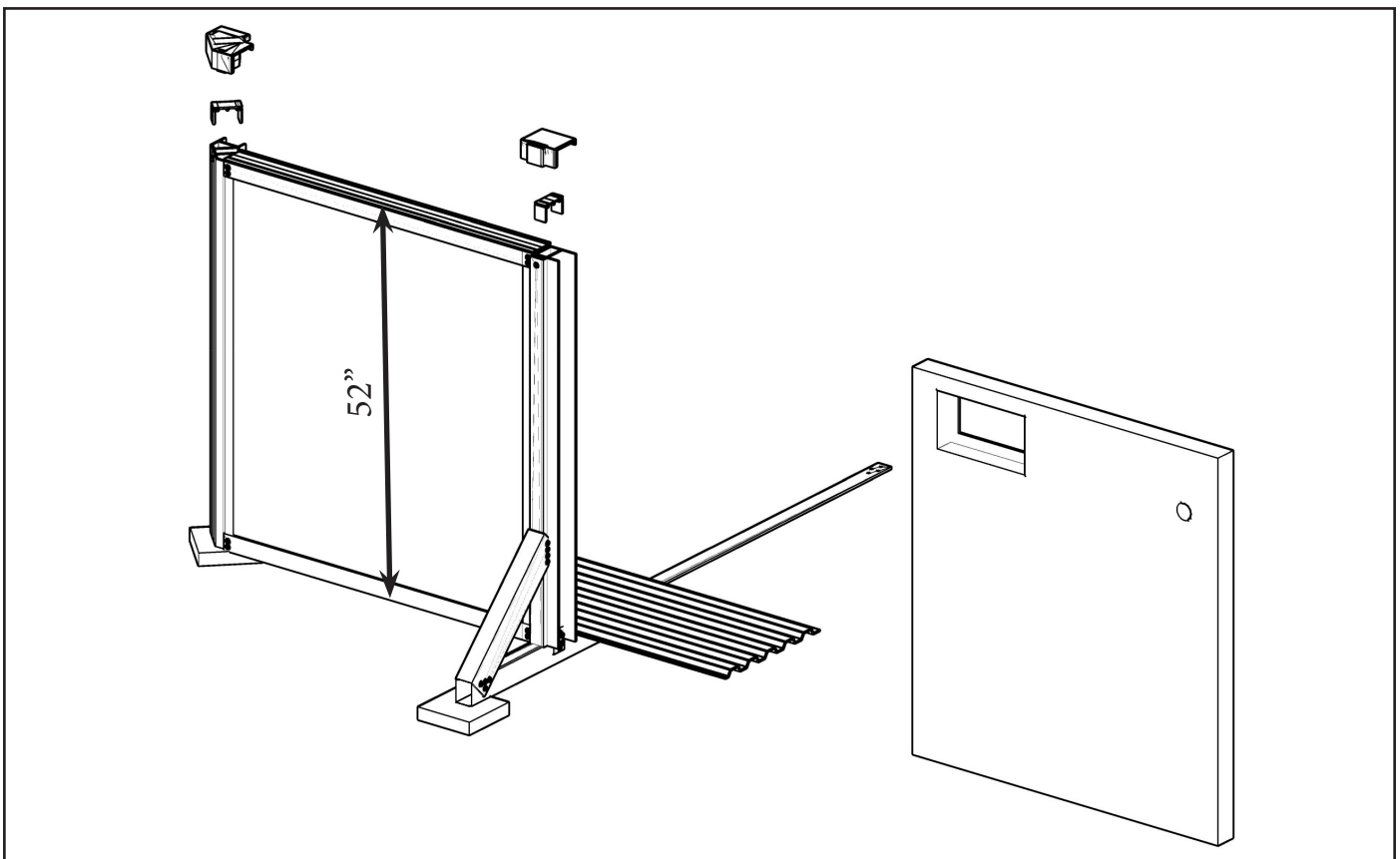
PARTS LIST - THE RECTANGLE

#	ABOVE GROUND POOL PARTS	NAME	POOL SIZES																			
			9 X 13	9 X 17	9 X 21	9 X 25	9 X 29	13 X 17	13 X 21	13 X 25	13 X 29	13 X 33	17 X 25	17 X 29	17 X 33	17 X 38	17 X 42	21 X 29	21 X 33	21 X 38	21 X 42	21 X 46
1 UN		Wall Panel	9	11	13	15	17	13	15	17	19	21	19	21	23	25	27	23	25	27	29	31
2 UN		Bottom Chanel	10	12	14	16	18	14	16	18	20	22	20	22	24	26	28	24	26	28	30	32
3 UN		Top Ledge	10	12	14	16	18	14	16	18	20	22	20	22	24	26	28	24	26	28	30	32
4 UN		Corner Post	4	4	4	4	4	4	4	4	4	4	4	4	4	4	4	4	4	4	4	4
5 UN		Ledge Cover	10	12	14	16	18	14	16	18	20	22	20	22	24	26	28	24	26	28	30	32
6 UN		Vertical Buttruss	6	8	10	12	14	10	12	14	16	18	16	18	20	22	24	20	22	24	26	28
7 UN		Buttruss Support	6	8	10	12	14	10	12	14	16	18	16	18	20	22	24	20	22	24	26	28
8 UN		Connecting Plate	12	16	20	24	28	20	24	28	32	36	32	36	40	44	48	40	44	48	52	56
9 UN		Horizontal Buttruss	6	8	10	12	14	10	12	14	16	18	16	18	20	22	24	20	22	24	26	28
10 UN		Bottom Strap	7	10	13	16	19	17	22	27	32	37	38	45	52	59	68	58	67	76	85	94
11 UN		Pressure Plate	6	8	10	12	14	10	12	14	16	18	16	18	20	22	24	20	22	24	26	28

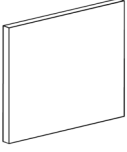

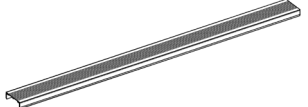
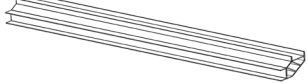
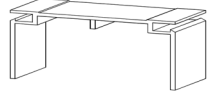
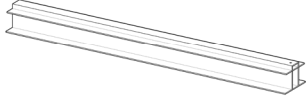

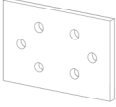
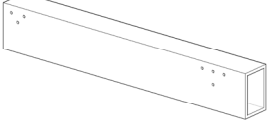
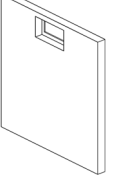
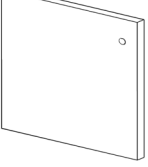
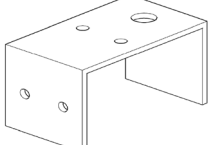


#	ABOVE GROUND POOL PARTS	NAME	POOL SIZES																			
			9 X 13	9 X 17	9 X 21	9 X 25	9 X 29	13 X 17	13 X 21	13 X 25	13 X 29	13 X 33	17 X 25	17 X 29	17 X 33	17 X 38	17 X 42	21 X 29	21 X 33	21 X 38	21 X 42	21 X 46
12 AG		Corner Cap	4	4	4	4	4	4	4	4	4	4	4	4	4	4	4	4	4	4	4	4
13 AG		Buttress Cap	6	8	10	12	14	10	12	14	16	18	16	18	20	22	24	20	22	24	26	28
14 AG		Skimmer Panel	1	1	1	1	1	1	1	1	1	1	1	1	1	1	1	1	1	1	1	1
*	HARDWARE	Self-tapping screws 1"	399	512	634	756	878	660	778	912	1,028	1,056	1,072	1,192	1,312	1,432	1,552	1,250	1,420	1,590	1,760	1,930

Above Ground and Semi-In Ground Pool Exploded View:



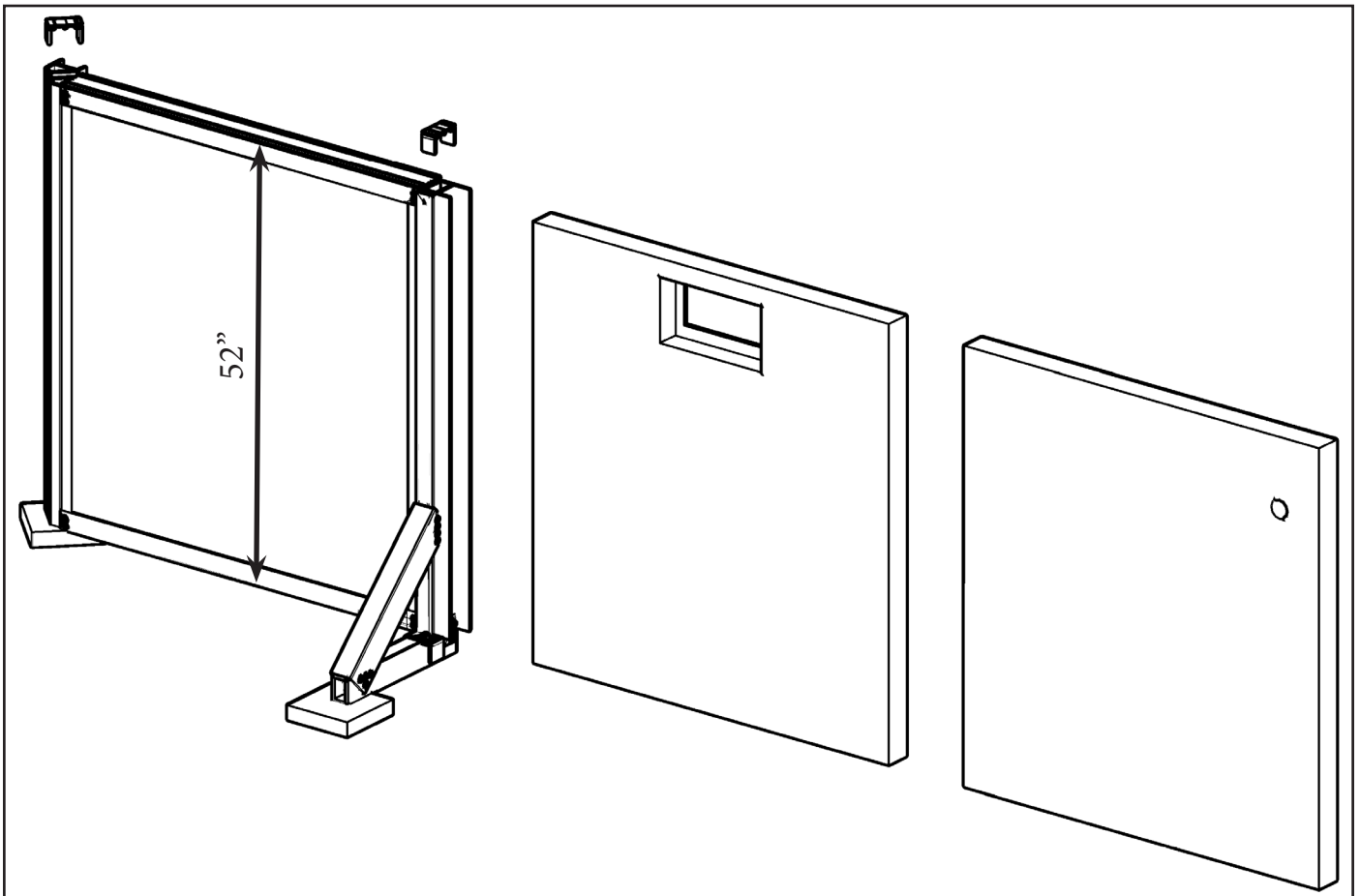


#	IN-GROUND POOL PARTS	NAME	POOL SIZES																			
			9 X 13	9 X 17	9 X 21	9 X 25	9 X 29	13 X 17	13 X 21	13 X 25	13 X 29	13 X 33	17 X 25	17 X 29	17 X 33	17 X 38	17 X 42	21 X 29	21 X 33	21 X 38	21 X 42	21 X 46
1 UN		Wall Panel	8	10	12	14	16	12	14	16	18	20	18	20	22	24	26	22	24	26	28	30
2 UN		Bottom Chanel	10	12	14	16	18	14	16	18	20	22	20	22	24	26	28	24	26	28	30	32
3 UN		Top Ledge	10	12	14	16	18	14	16	18	20	22	20	22	24	26	28	24	26	28	30	32
4 UN		Corner Post	4	4	4	4	4	4	4	4	4	4	4	4	4	4	4	4	4	4	4	4
5 UN		Ledge Cover	10	12	14	16	18	14	16	18	20	22	20	22	24	26	28	24	26	28	30	32
6 UN		Vertical Butress	6	8	10	12	14	10	12	14	16	18	16	18	20	22	24	20	22	24	26	28
7 UN		Butress Support	6	8	10	12	14	10	12	14	16	18	16	18	20	22	24	20	22	24	26	28
8 UN		Connecting Plate	12	16	20	24	28	20	24	28	32	36	32	36	40	44	48	40	44	48	52	56
9 IG		Horizontal Butress	6	8	10	12	14	10	12	14	16	18	16	18	20	22	24	20	22	24	26	28
10 IG		Skimmer Panel	1	1	1	1	1	1	1	1	1	1	1	1	1	1	1	1	1	1	1	1
11 IG		Return Panel	1	1	1	1	1	1	1	1	1	1	1	1	1	1	1	1	1	1	1	1
12 IG		Rebar Channel	6	8	10	12	14	10	12	14	16	18	16	18	20	22	24	20	22	24	26	28



#	IN-GROUND POOL PARTS	NAME	POOL SIZES																			
			9 X 13	9 X 17	9 X 21	9 X 25	9 X 29	13 X 17	13 X 21	13 X 25	13 X 29	13 X 33	17 X 25	17 X 29	17 X 33	17 X 38	17 X 42	21 X 29	21 X 33	21 X 38	21 X 42	21 X 46
*		Self-tapping screws 1"	410	520	642	764	886	652	762	888	1,000	1,116	1,016	1,120	1,224	1,328	1,432	1,150	1,300	1,442	1,590	1,734

In-Ground Pool Exploded View:



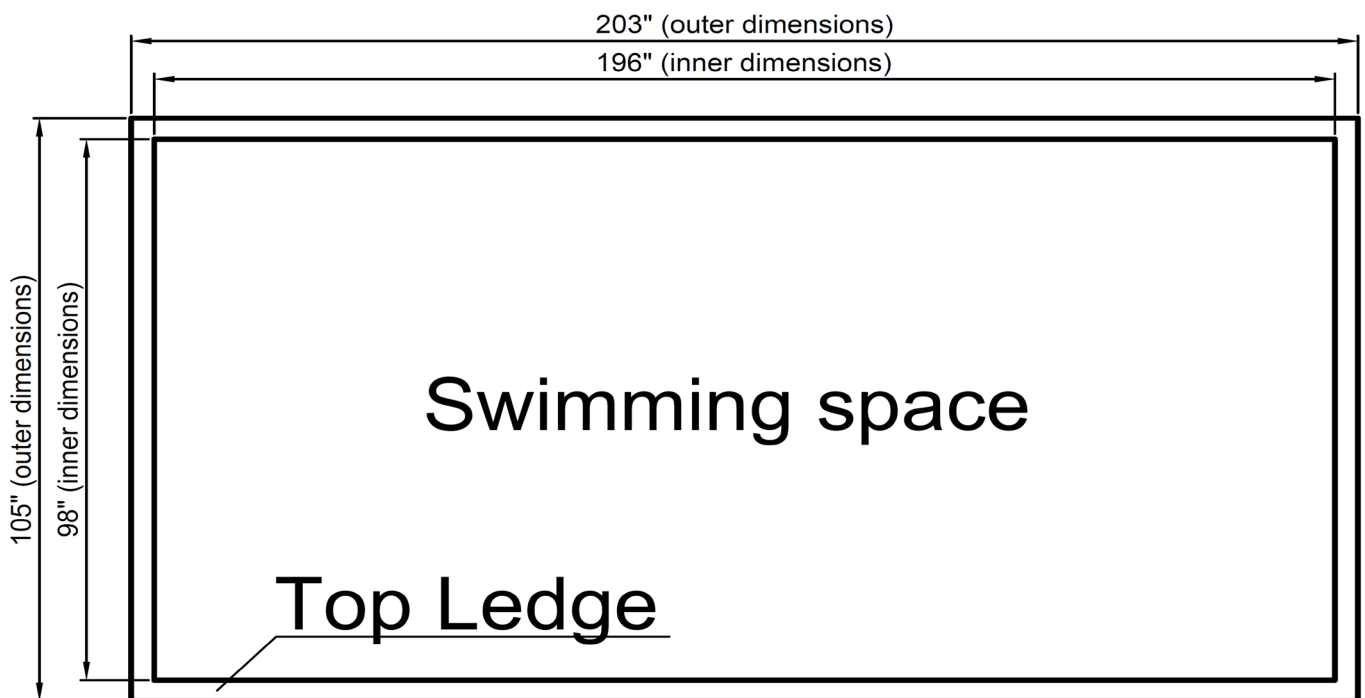
ABOVE GROUND POOL INSTALLATION

IMPORTANT: Before starting the Installation Process, PLEASE read the entire Instruction carefully and comprehensively step-by-step to follow all the information mentioned. Otherwise, if you do not follow the Instruction out completely, the Pool Warranty attached to the Instruction will become void. Please take into account that the textured surface of the pool panels should be located on the outside/dry side of the pool and smooth surface – on the inside/wet side of the pool.

For 52” Above Ground Installation: Choose Skimmer, Return(s) and Filter Location

- Designate the place of the Skimmer, Filter and Return (or Two Returns), making sure that they should be placed one panel off the corner (please see Cover Page for your reference as an example). If your pool is quite big, please diagonally station the second return on the opposite side of the pool to provide the pool with effective and efficient water circulation.

Ground Preparation



- Follow the 98” (2 panels) x 196” (4 panels) sketch provided above as your guide to install a rectangle pool of any size. This sketch is universal for all rectangle pools’ sizes. Simply add or subtract 49” per panel section and apply it to your pool’s size.

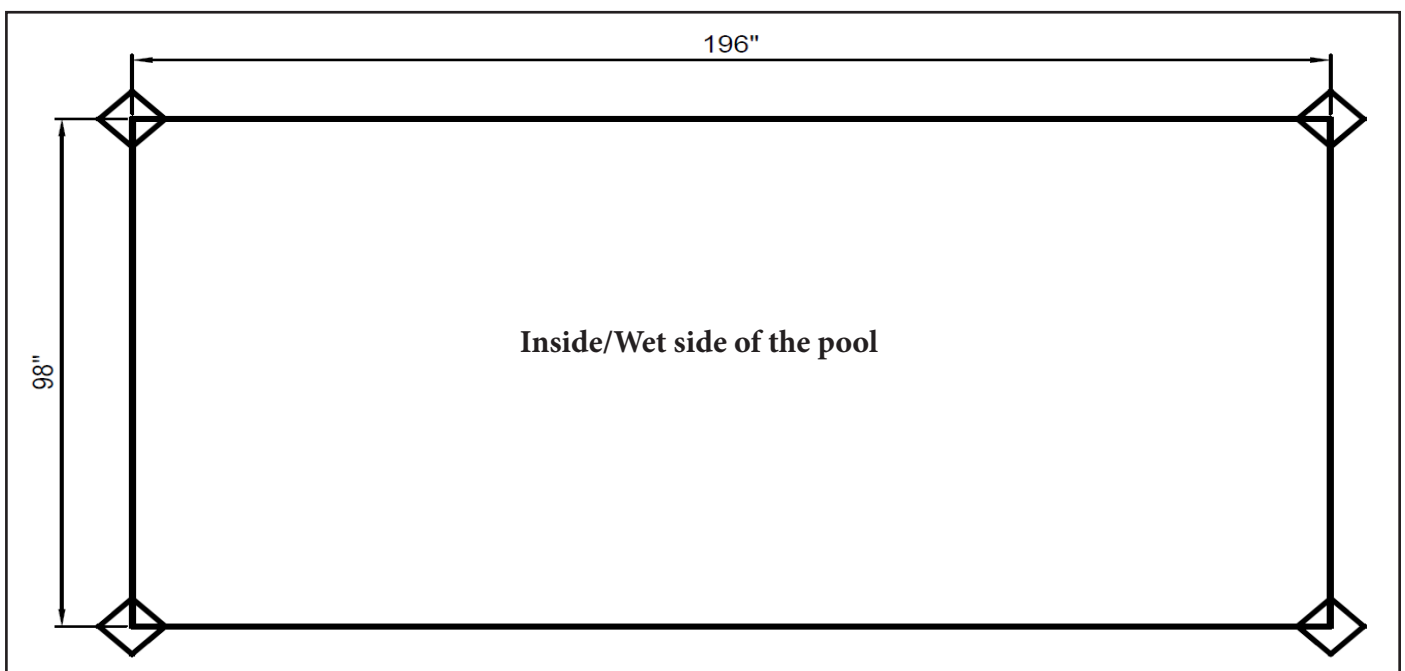


- First, square off and level the entire ground of your pool's outer dimensions (Note: Outer dimensions are always 3.5" wider than the inner dimensions). Next, dig out trenches every 49" apart between every two wall panels for installing Buttress Posts under the ground, leveling flush with the ground. Please make sure that the part of the trench located inside the pool is 21" long and the part of the trench located outside the pool and accommodating the part of the Buttress Post having Buttress Support is 19" long according to the picture on the bottom of the Page 10. These trenches must be three inches deep, four inches wide and forty three inches long to accommodate all Buttress Posts.

Also, at the ends of each Horizontal Buttress located on the dry/outside side of the pool, dig 5" (deep below the ground level) x 10" x 8.5" additional pits to accommodate 2" (thick) x 8"x 8" Patio Blocks, making sure that the centers of the Patio Blocks will be centered and placed under the end of each Horizontal Buttress. Next, please dig four 1.5" (deep) x 8.5" x 8.5" square pits to accommodate four 2" (thick) x 8"x 8" Patio Blocks at all the four corners of the pool as shown on the illustrations on the Page 10.

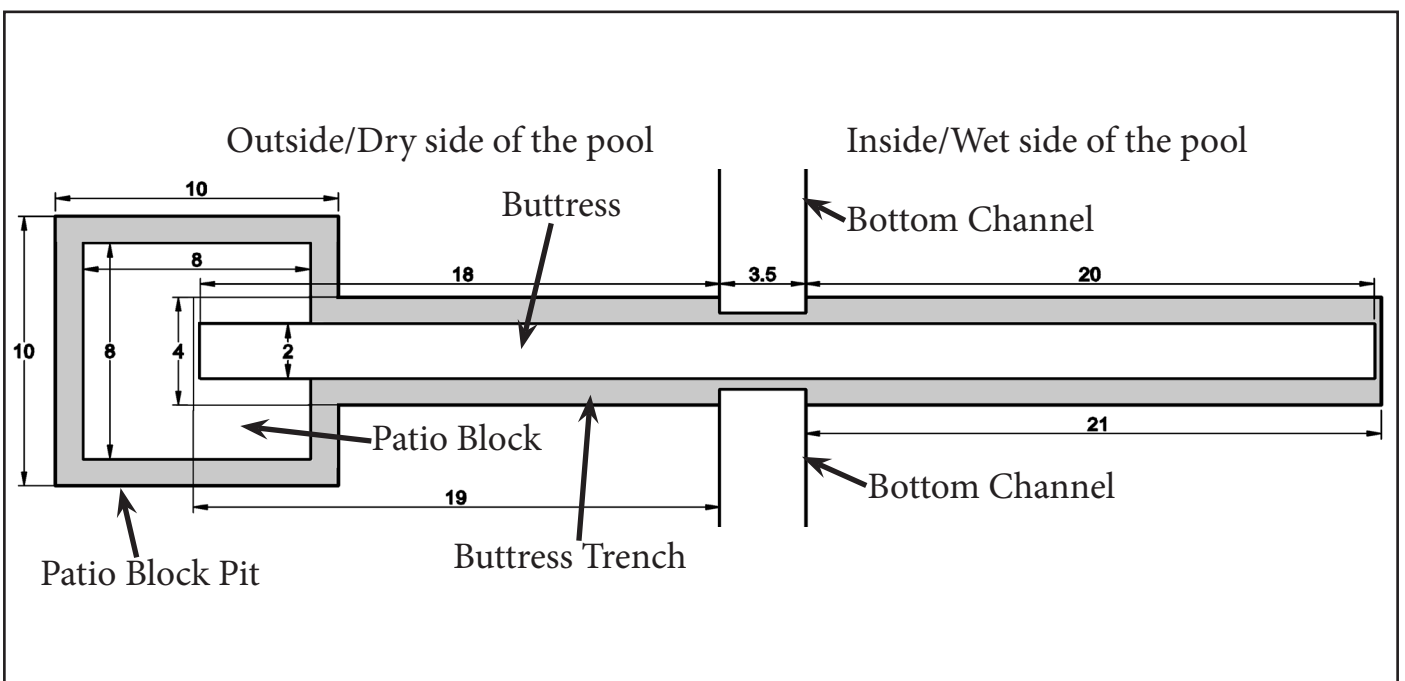
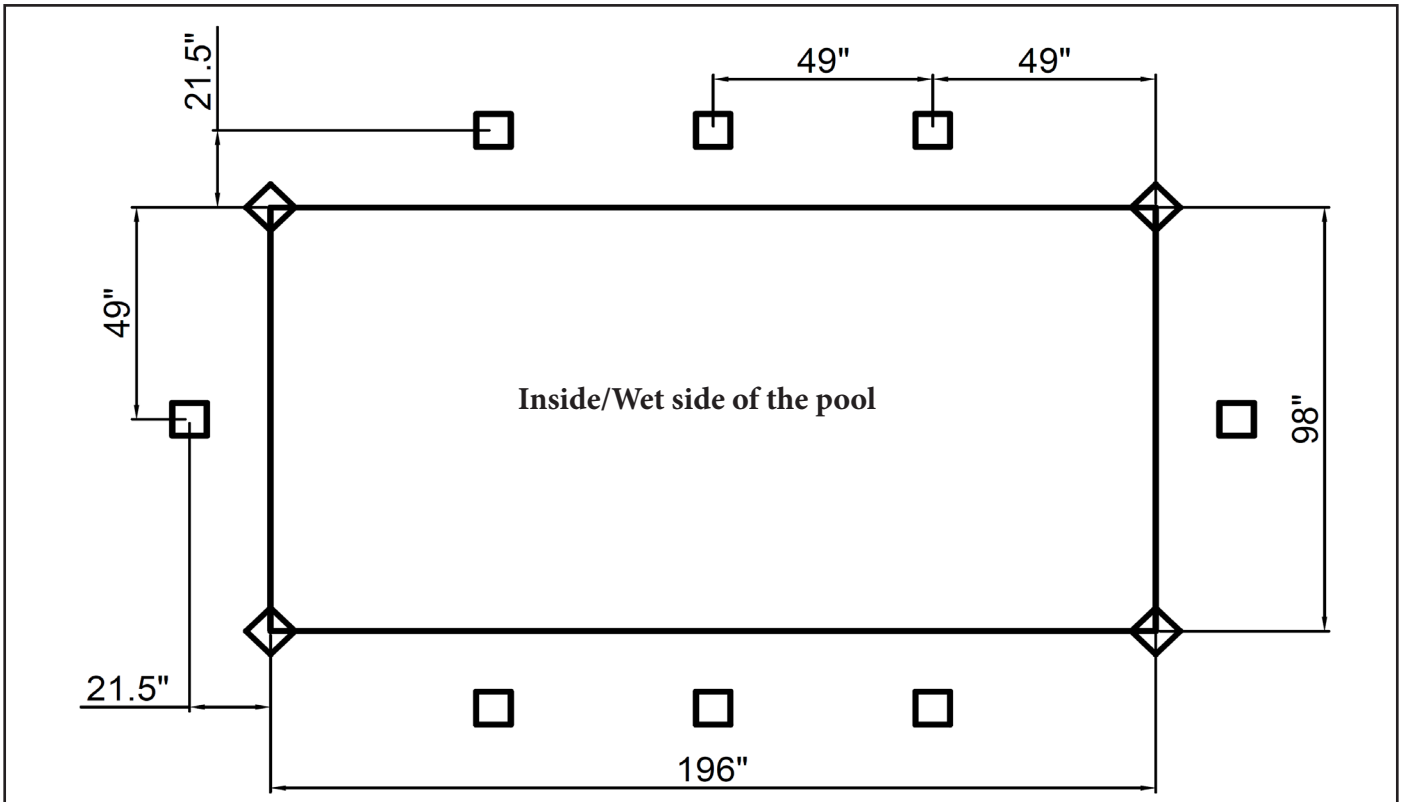
Patio Blocks Placement

- Square off and level four 8" (width) x 8" (length) x 2" (thickness) corner Patio Blocks. The top surfaces of the blocks should be flush with the ground level according to your pool size as shown on the illustration below.





- Next, square off and level Buttress Post Patio Blocks (centered every fifty one inch apart from each other [six inches in ground]) in ground, placing the centers of the Buttress Post Patio Blocks sixteen inches away from your pool's outer (dry side) wall size per sketch. Use a surveyor's transit or carpenter level to make sure that all the tops of the Patio Blocks are exactly square and level with the top of the ground and with each other.



Step 1 A

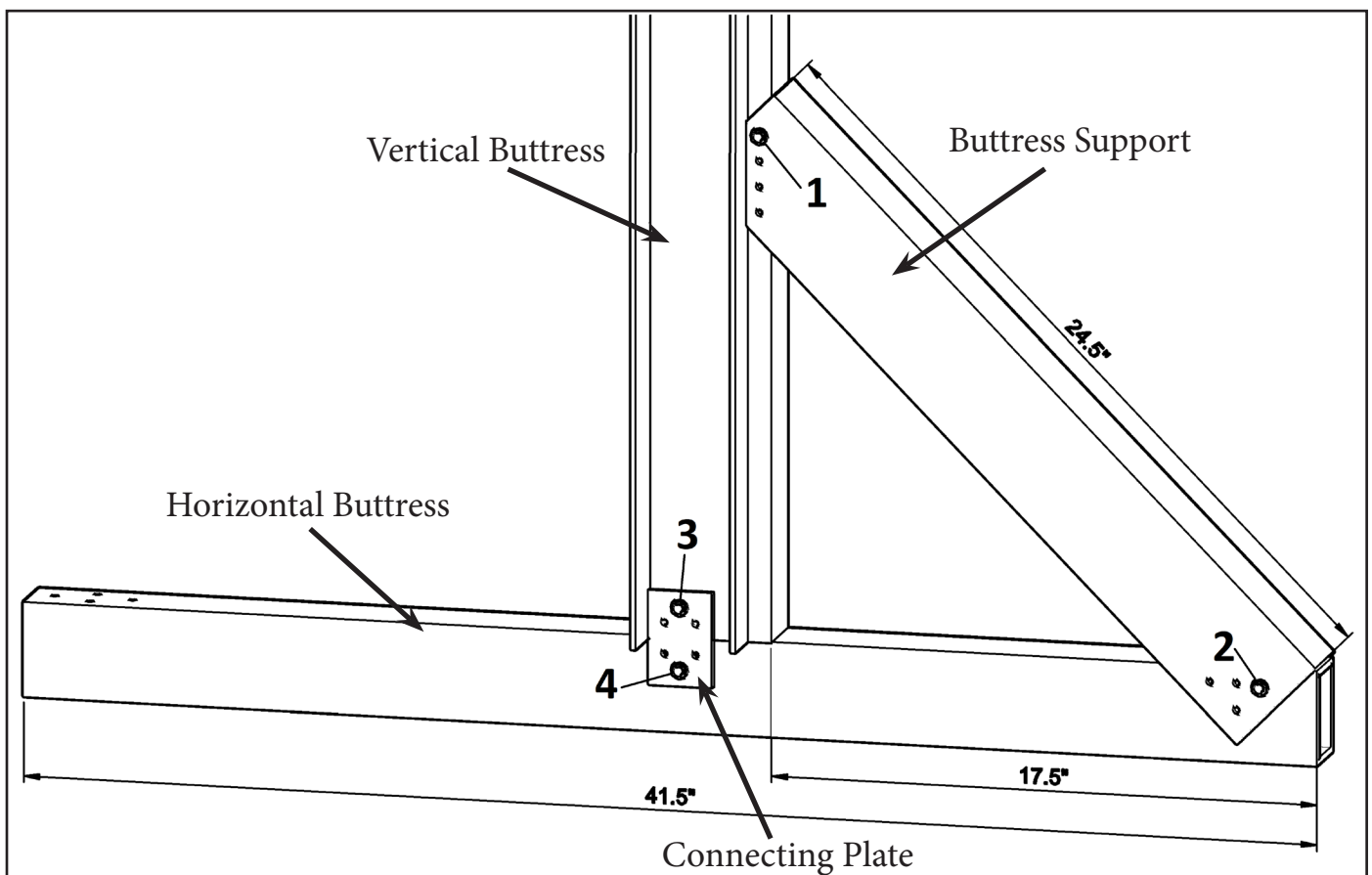
Assembling Semi- and Above Ground Buttress Post:

For easier screwing, ream all 1/8" factory pre-drilled openings in Vertical Buttress and Horizontal Buttress by using a 11/64" drill bit.

Then, attach Buttress Support to Vertical Buttress and Horizontal Buttress by screwing two screws (1 and 2) through the guiding 0.25" openings of Buttress Support according to the picture.

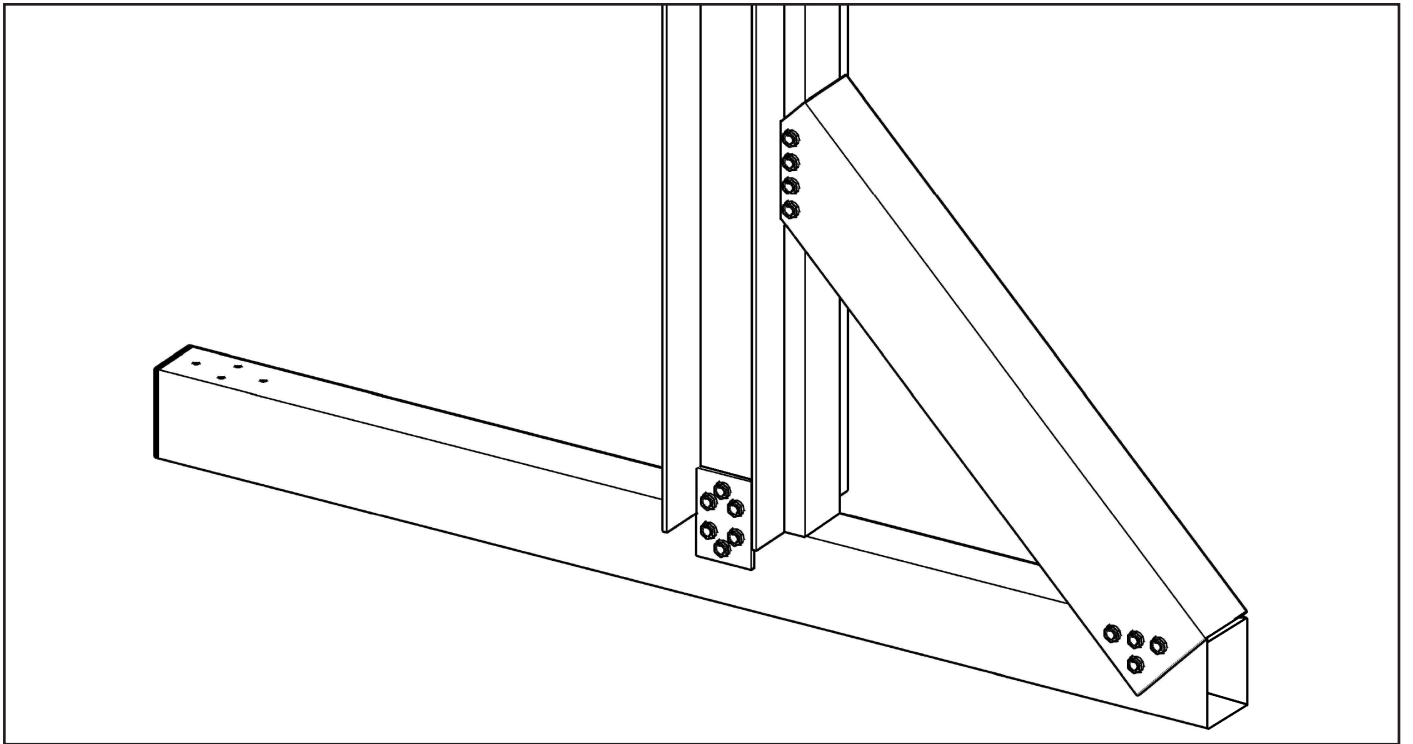
After that, connect one Connecting Plate with Vertical Buttress by screwing two screws (3 and 4) through the guiding 0.25" openings of Connecting Plate according to the picture.

Next, flip the connected Buttress Post over and repeat this assembling process on the opposite side of Buttress Post.



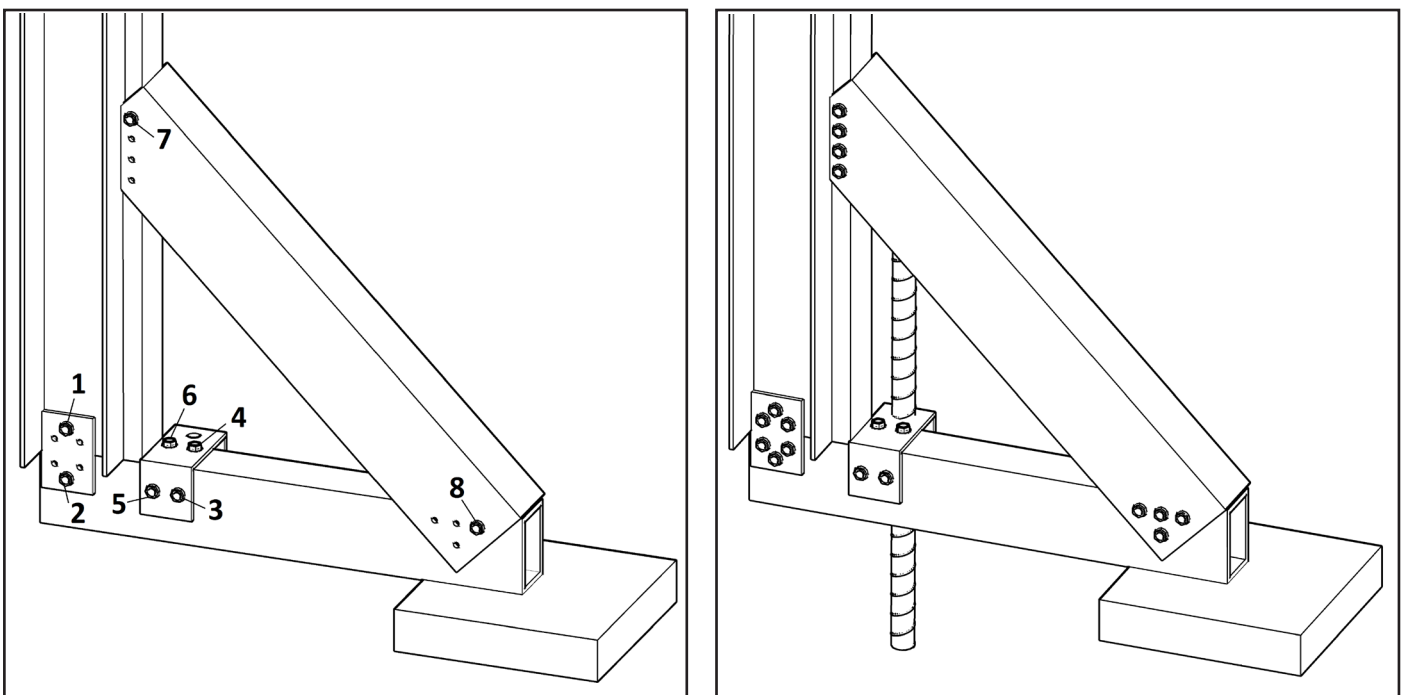


After this, screw the rest of the screws all over Connecting Plates and Buttress Support through the guiding 0.25" openings of two Connecting Plates and Buttress Support.



Assemble Buttress Posts according to your Pool size Parts List.

In-Ground Pool Buttress assembly with Rebar Bracket



Step 1 B

Pre-assembling Corner Sections:

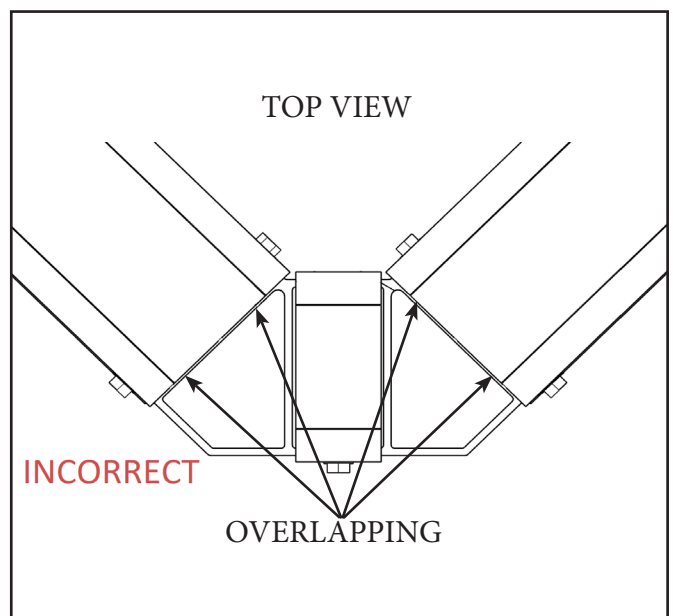
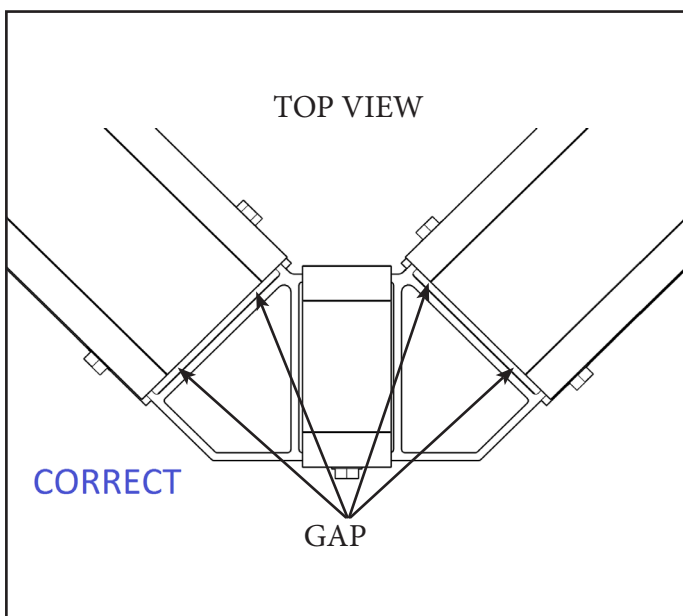
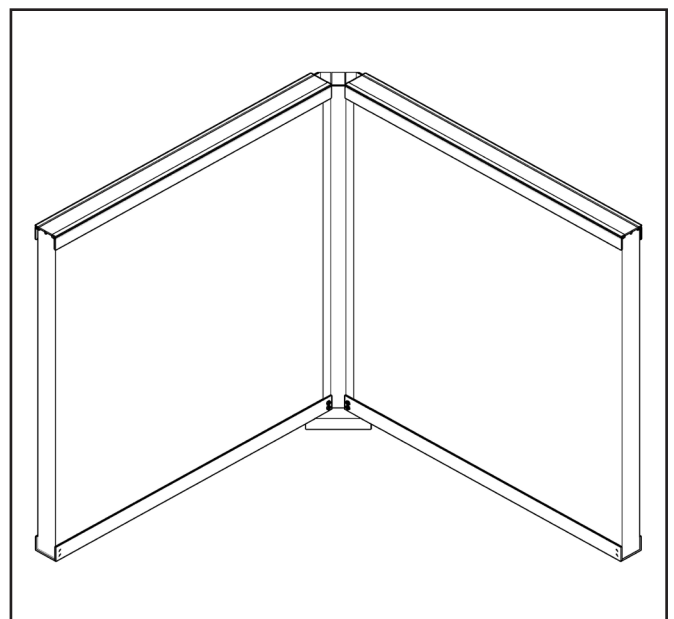
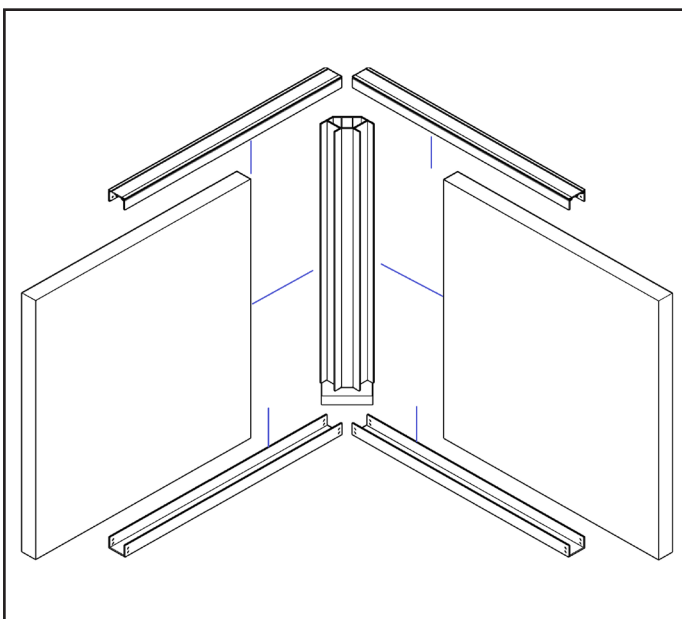
- Screw twelve 1" self-tapping screws through two Top Ledges and two Bottom Channels into one Corner Post and two Wall Panels to build a Corner Section as pictured below.

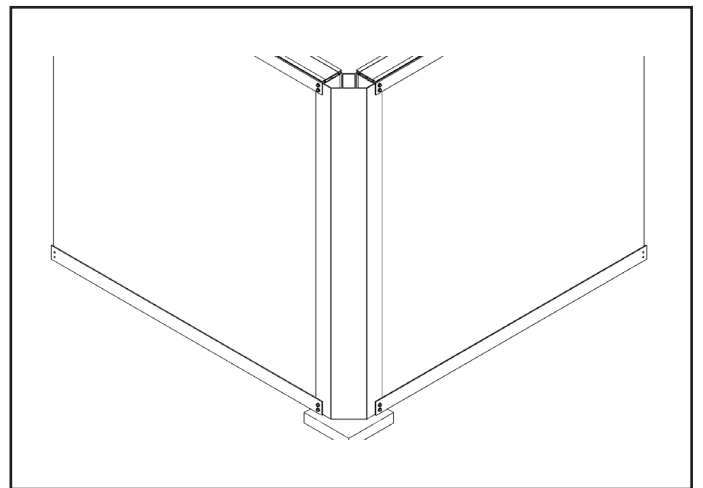
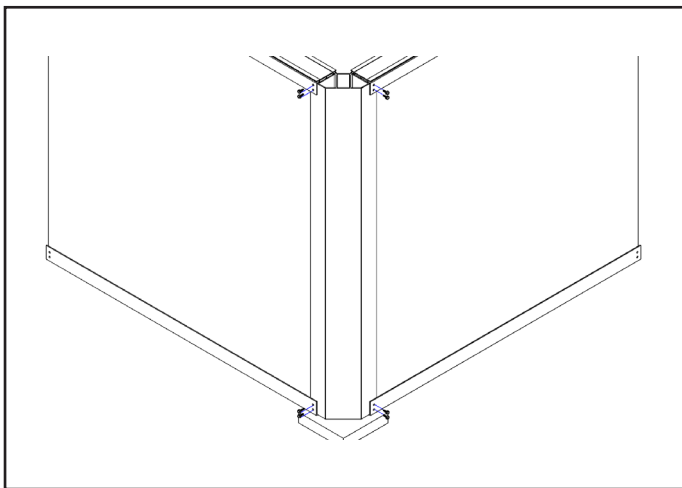
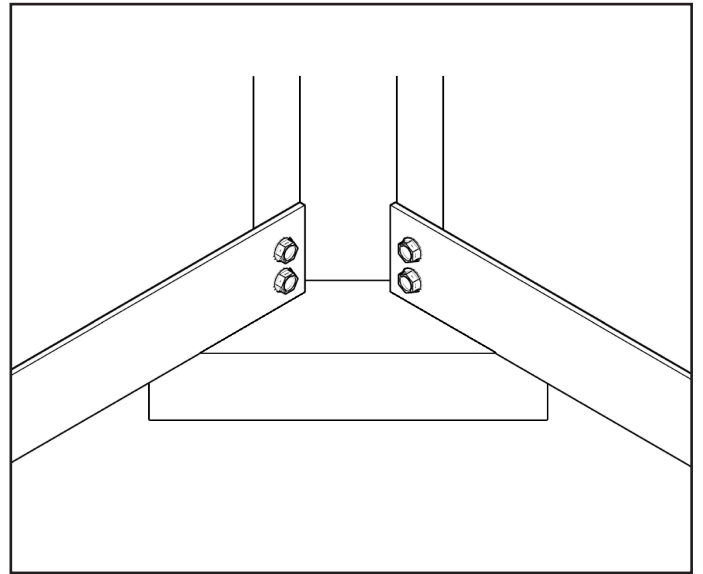
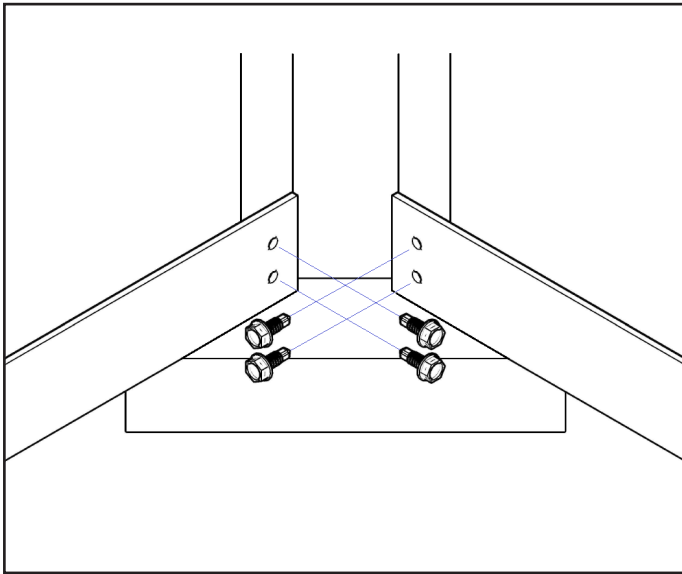
Note: Screws for the Top Ledges should be located only on the outer/dry side of the pool.

Before screwing for easier screwing, please pre-drill all the necessary openings by using a 11/64" drill bit through the factory pre-drilled 1/4" openings.

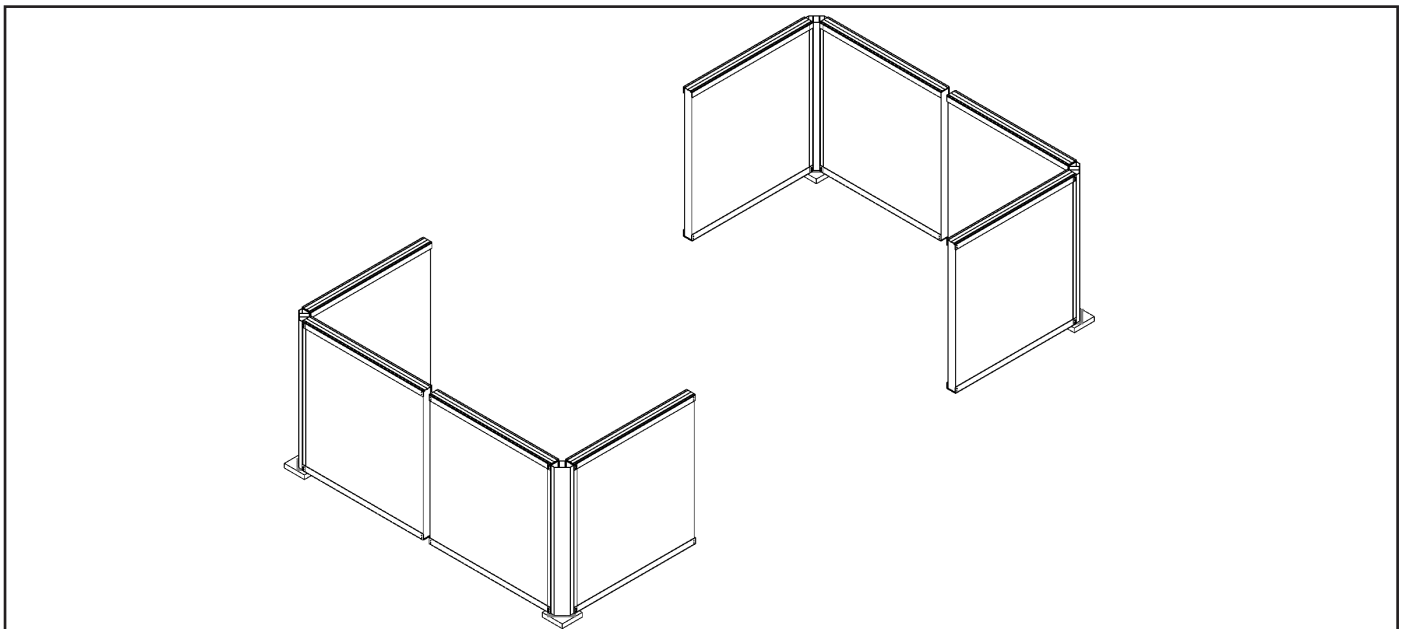
- Use the pre-drilled holes located on the Top Ledges and Bottom Channels as your guide.

IMPORTANT: When placing two Top Ledges over the Wall Panels at the corner, please make sure that you put them a little bit farther from the Corner by all means, making a very small gap between the Corner and Top Ledges and providing the place for locating the Corner Cap later (please see two pictures below).





• Next, repeat this process three more times to build four total Corner Sections.



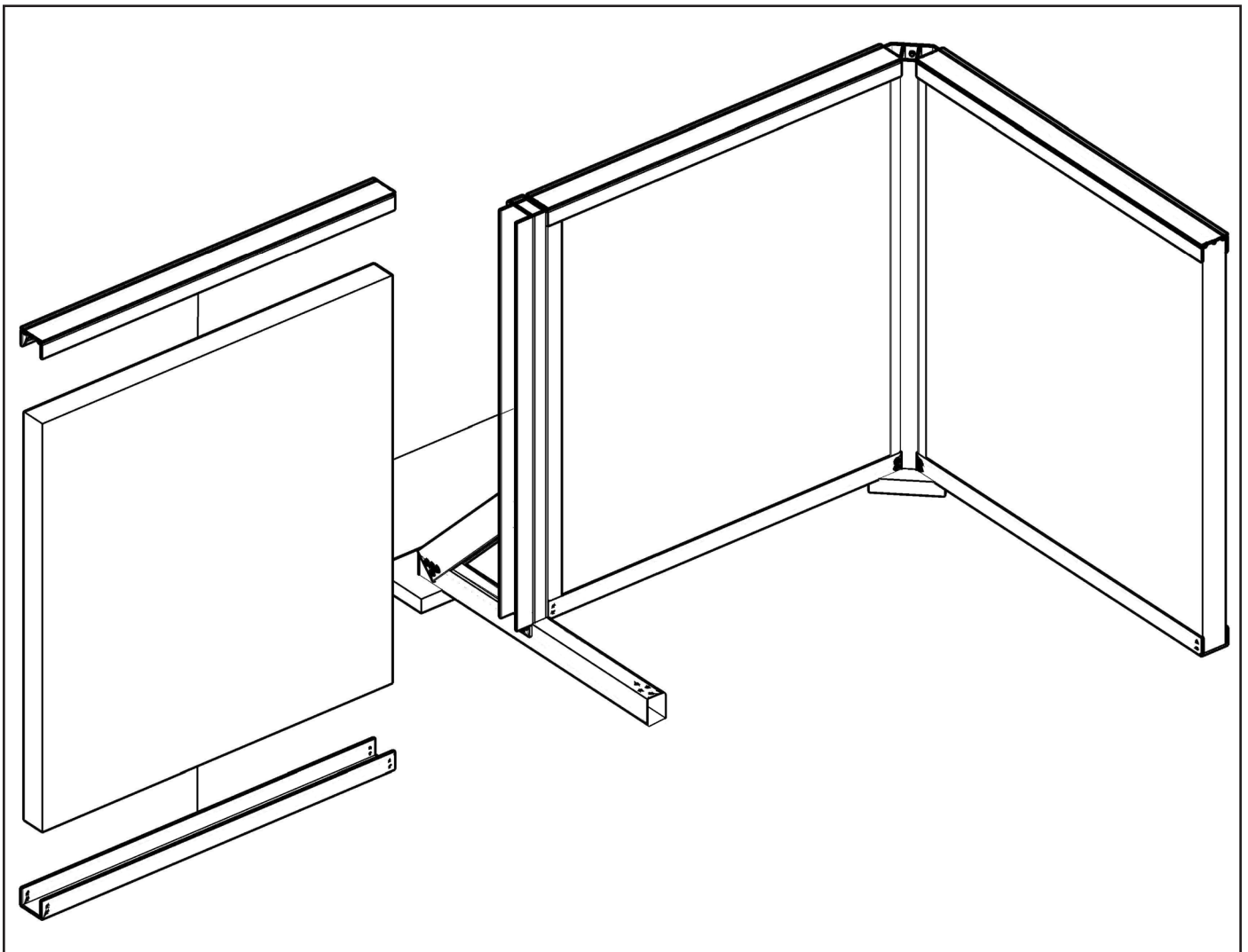
Step 2

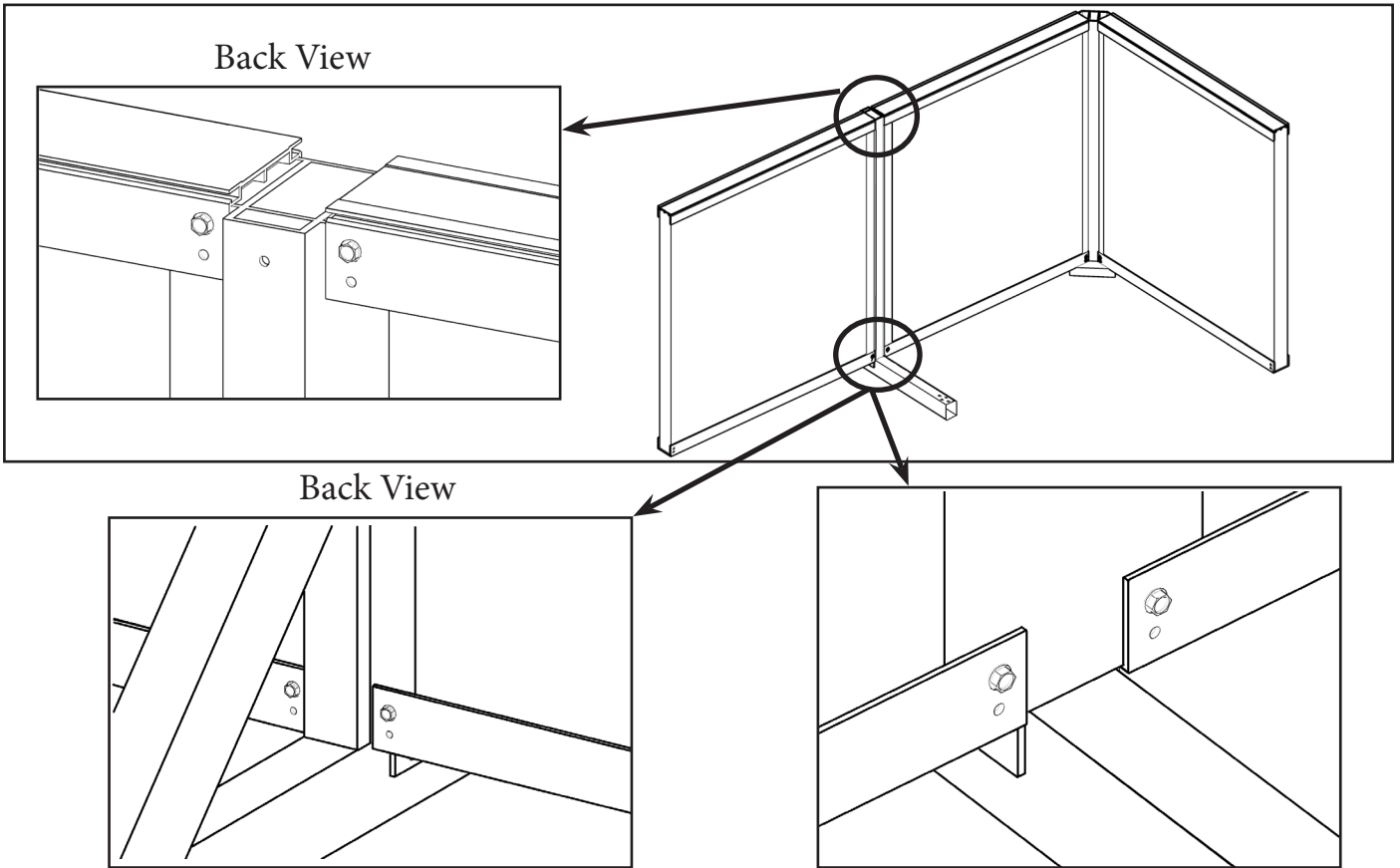
Assembling Middle Sections:

- Screw six 1" self-tapping screws into the top openings (leaving the lower openings empty) through two Top Ledges and two Bottom Channels into one Buttress Post and two Wall Panels to attach a middle section as illustrated below.

Note: Screws for the Top Ledges should be located only on the outer/dry side of the pool. Before screwing for easier screwing, please pre-drill all the necessary openings by using a 11/64" drill bit through the factory pre-drilled 1/4" openings.

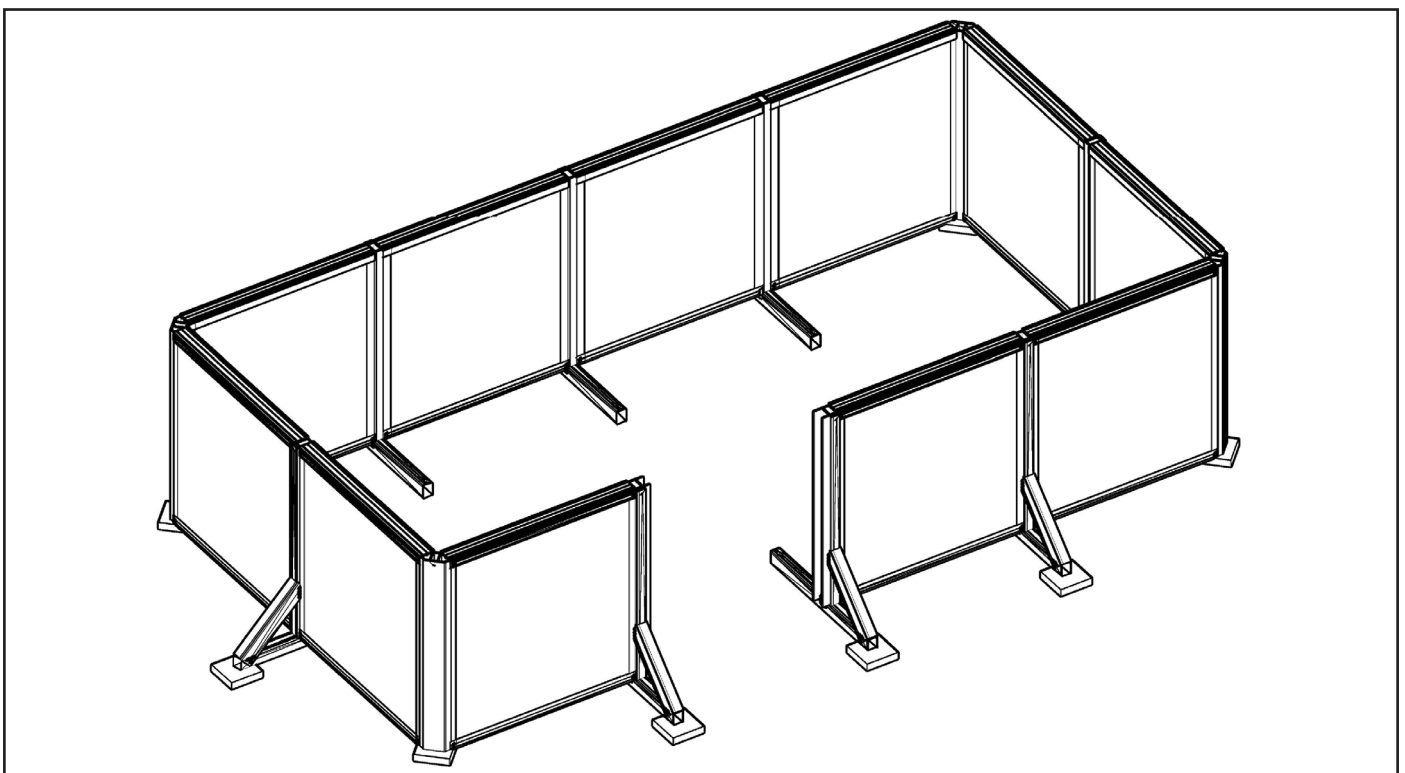
- Use the holes located on the Top Ledge and Bottom Channel as your guide.





- Further, repeat this process for all the Middle Sections.

Note: Leave one Middle Section out to allow an entry point to cart sand into the pool area.



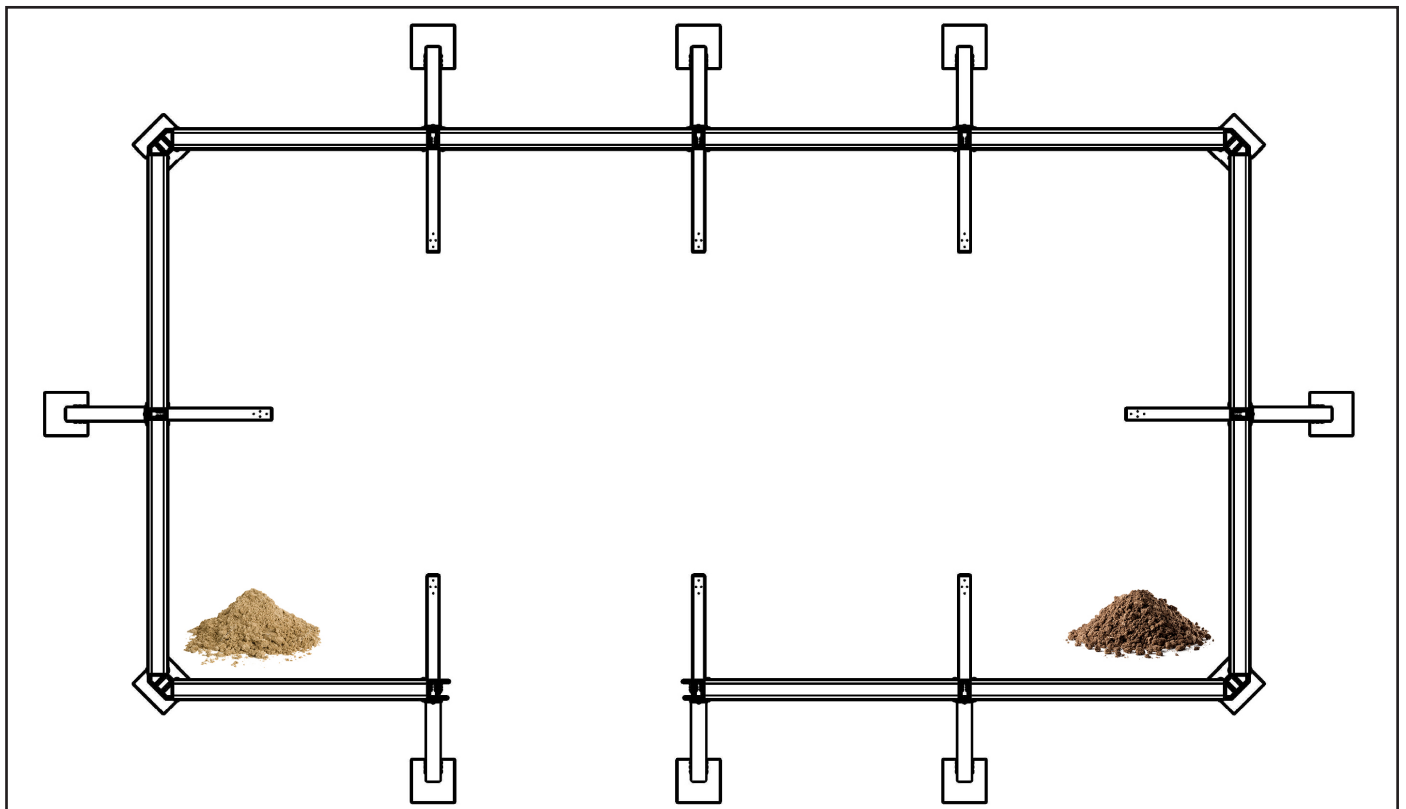
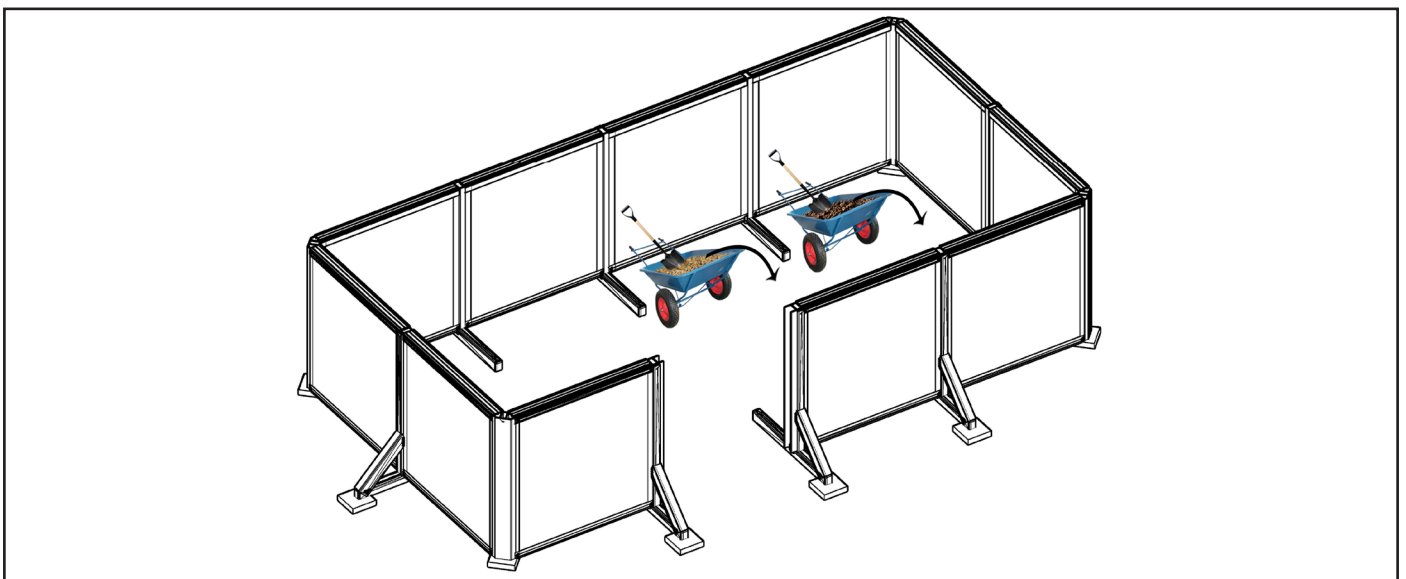
Step 3

Loading Dirt and Pool Sand:

- Wheel barrel the appropriate amount of dirt and clean pool sand (based on your size pool) inside the pool area and place the dirt and sand on the floor in two different corners.

Note: Do not block or impede the pathway of the Bottom Straps, which will run from one Buttress Post to the opposite Buttress Post.

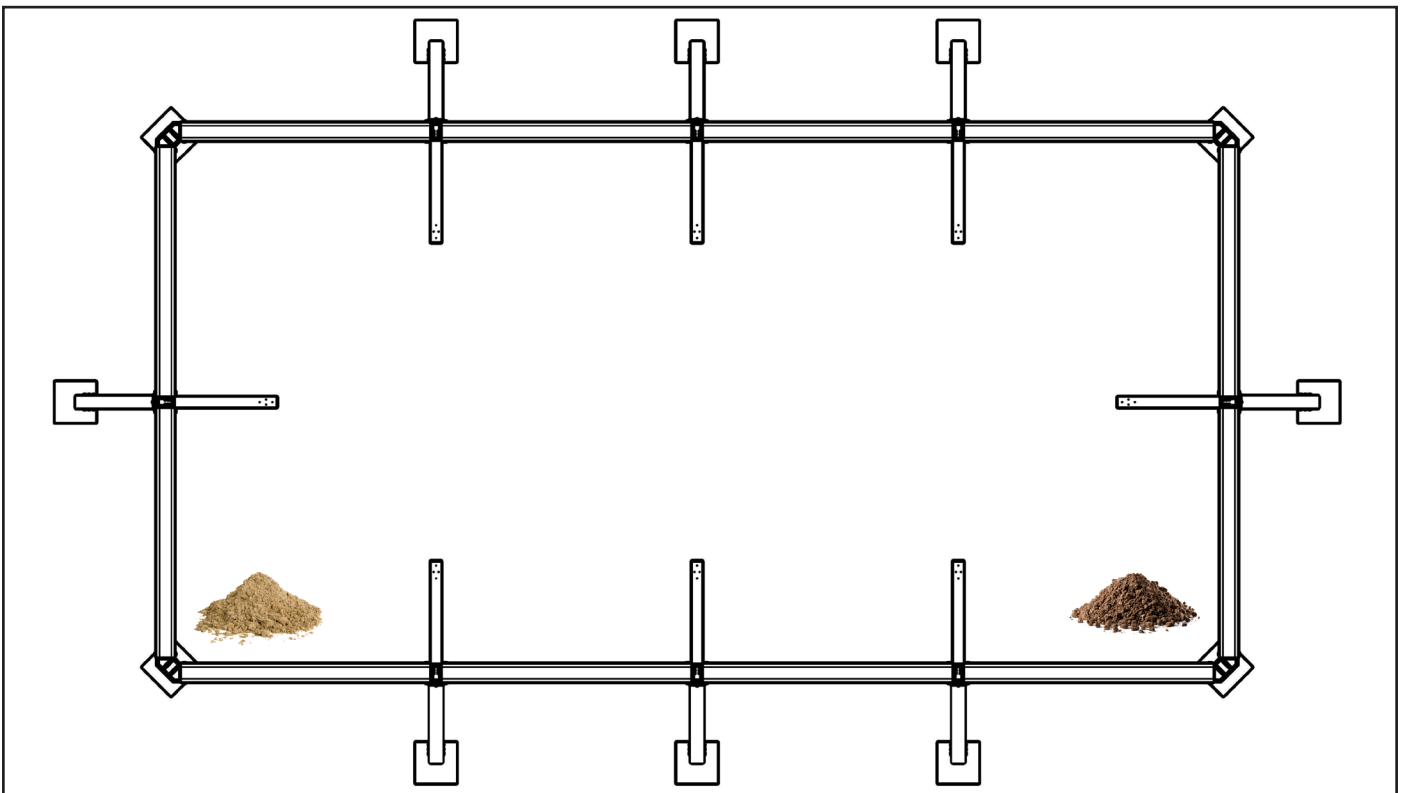
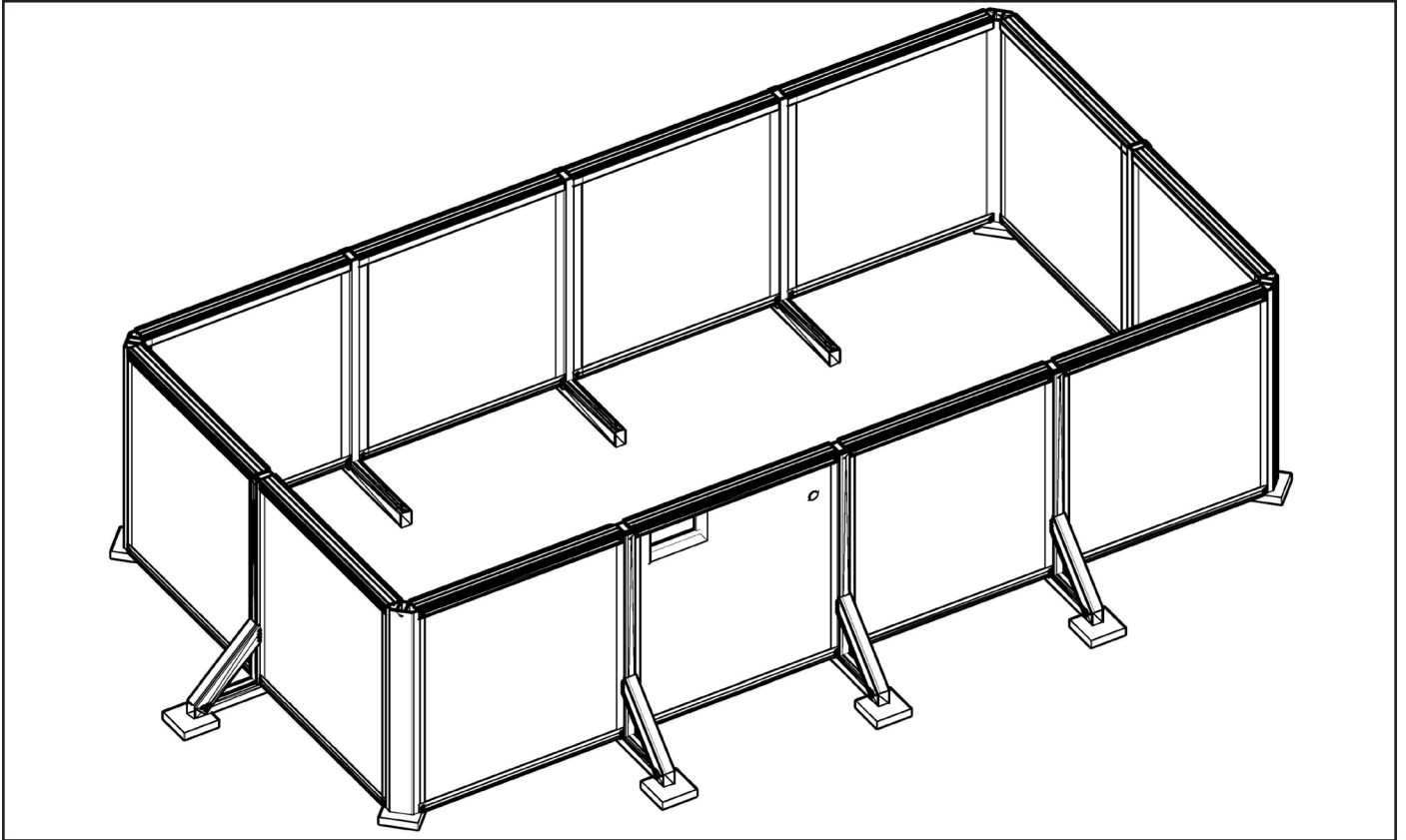
IMPORTANT: If there is some firm uneven soil or clay on the pool spot, please evenly spread some pool sand all over the pool place to provide the even surface for placing pressure plates at Step 6.



Step 4

Assembling Last Middle Section:

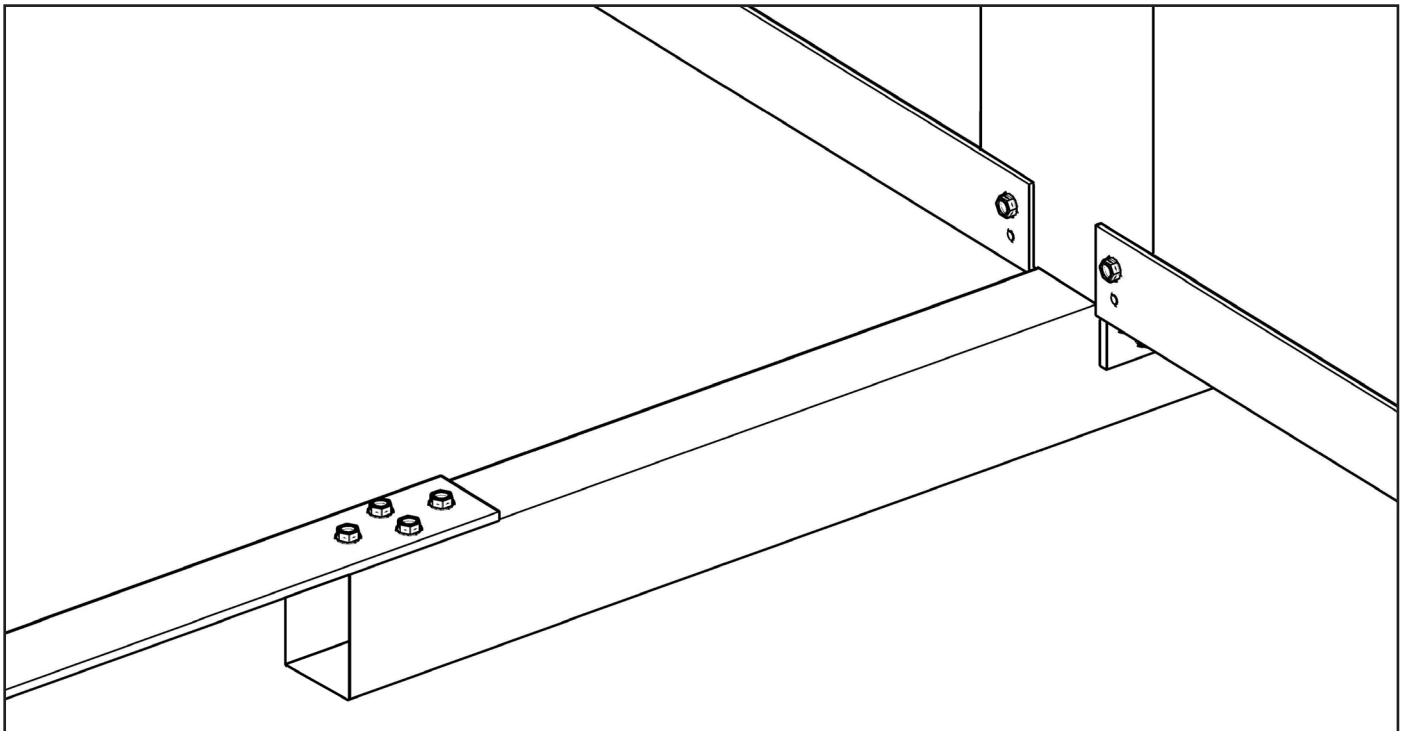
- Close the pool off by attaching the last Wall Panel as done in Step # 2.



Step 5

Installing Bottom Straps:

- Recheck pool, making sure that all of the Wall Panels are exactly squared off and the same height level with each other.
- Next, by placing one Bottom Strap onto one Horizontal Buttress, inside the pool, fasten them together by tightly screwing four 1" screws through the diamond-shaped positioned holes located in the upper Bottom Strap as your guide into the Horizontal Buttress as illustrated below.

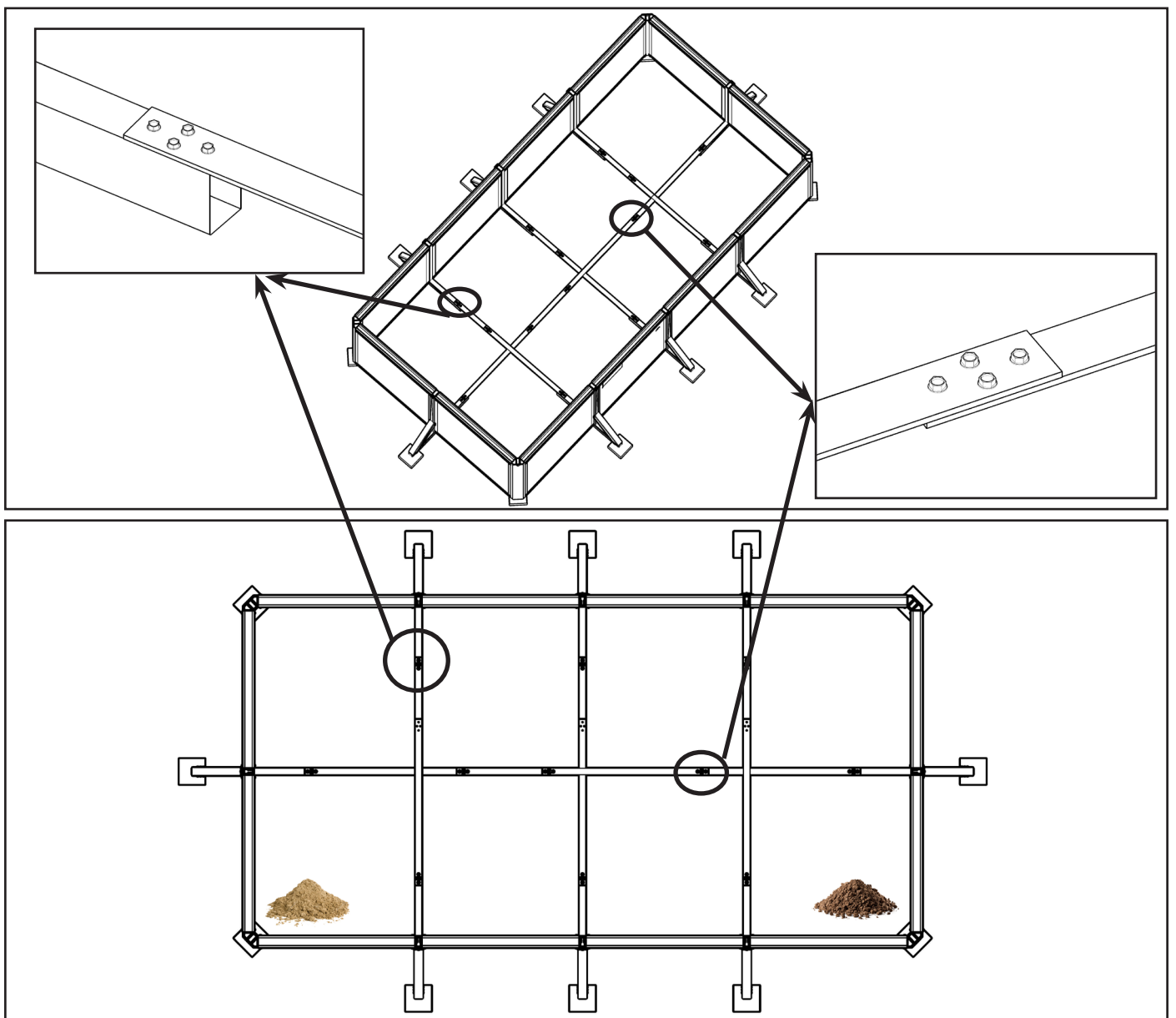


- Further, repeat this process with all the Bottom Straps and Horizontal Buttresses.
- Next, connect one Bottom Strap to another (from one Buttress Post to the opposite Buttress Post, exactly across from each other, facing the north/south and the east/west directions) across the entire bottom of the pool by, first, pre-drilling four 11/64" openings in the lower Bottom Strap through the four diamond-shaped positioned holes located at the end of the upper Bottom Strap as your guide and, then, tightly screwing four 1" screws through these diamond-shaped positioned holes located at the end of the upper Bottom Strap as your guide into the four pre-drilled 11/64" openings located at the end of the lower Bottom Strap at each connecting place. When connecting one Bottom Strap with another one, please overlap the straps by exactly 4".



- Next, repeat the above-mentioned process for connecting all of the Bottom Straps to each other.
- The excess strap material of the center Bottom Straps must be located underneath each continuous run of Bottom Straps.
- Next, recheck to make sure that all of the Wall Panels are exactly squared off and the same height level with each other.
- Finally, connect the last center Bottom Straps by drilling out the upper Bottom Straps in all of the continuous runs of all of the Bottom Straps (use the exact same diamond-shaped pattern copied from any Bottom Strap as a guide for drilling these final straps out) and then screw four 1" screws through these openings into the lower Bottom Straps (place a piece of wood under the Bottom Straps when drilling and screwing down for convenience).

Note: Do not connect the north/south running Bottom Straps to the east/west running Bottom Straps.



Step 6

Mounting Pressure Plates:

IMPORTANT: It is critical that all of the Pressure Plates are always placed and screwed down, starting from the very end of the Horizontal Buttresses (on the wet side).

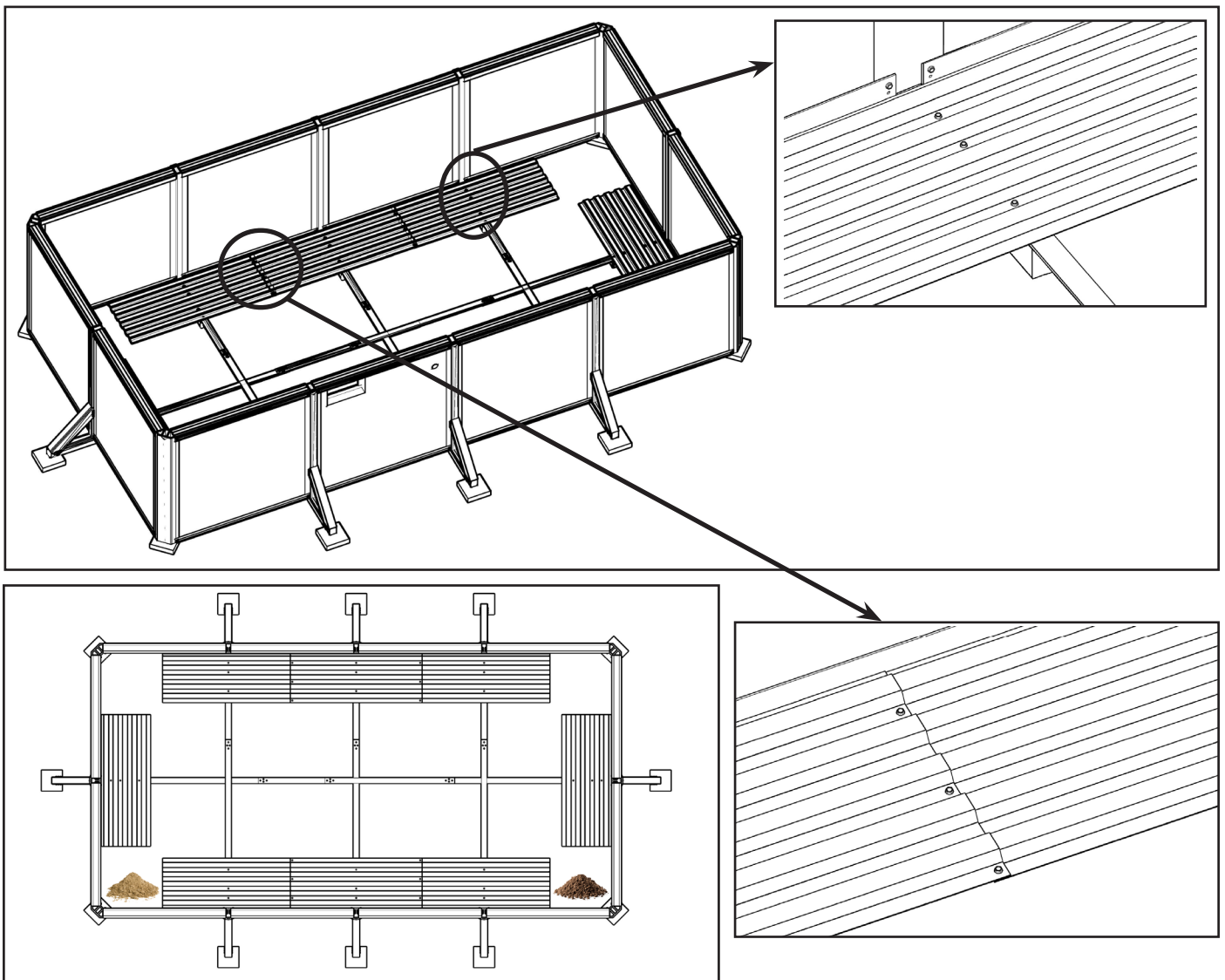
- Center each Pressure Plate over one Horizontal Buttress, placing it at the end of each 39" Horizontal Buttress. Make sure that the edges of the Pressure Plates are located just at the end of each Horizontal Buttress according to the illustration below.

- Further, evenly spread out and screw down each Pressure Plate to each Horizontal Buttress by using three 1" self-tapping screws provided for each connection as pictured below.

Note: Before screwing, please pre-drill three 11/64" openings in each Pressure Plate and each Horizontal Buttress at each connecting place for easier screwing.

- Next, overlap and screw down each Pressure Plate to the next Pressure Plate along the side of it as shown in the illustration by using three 1" self-tapping screws provided for each connection.

Note: Before screwing, please pre-drill three 11/64" openings in both Pressure Plates at each connecting place for easier screwing.



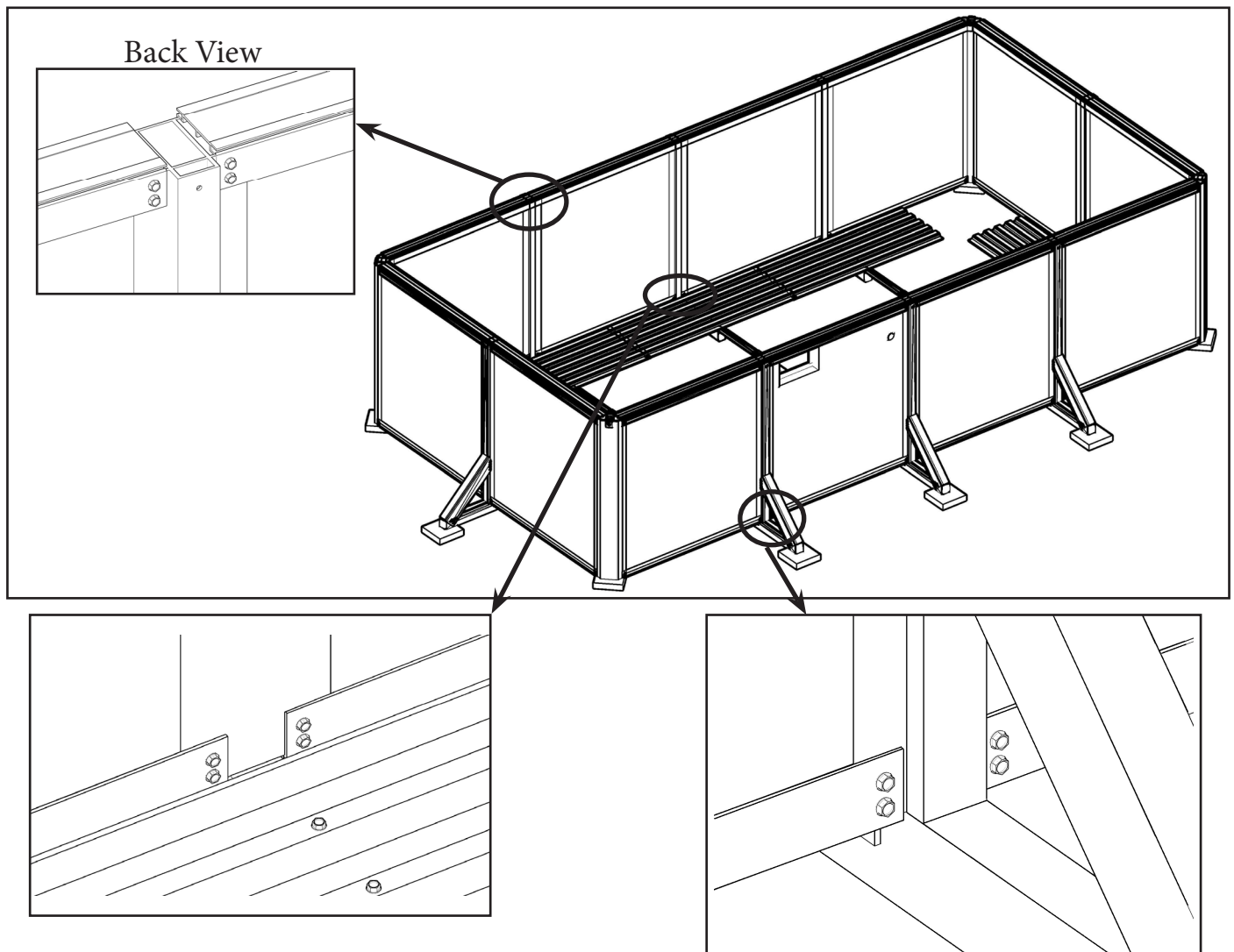
Step 7

Final Assembling All Middle Sections:

- Recheck all levels and squareness of the pool, making sure that all of the Wall Panels are exactly squared off and the same height level with each other.
- Screw the other six 1" self-tapping screws into the lower openings through two Top Ledges and two Bottom Channels into one Buttress Post and two Wall Panels to finally and firmly attach a middle section as pictured below.

Note: Screws for the Top Ledges should be located only on the outer/dry side of the pool. Before screwing for easier screwing, please pre-drill all the necessary openings by using a 1/64" drill bit through the factory pre-drilled 1/4" openings.

- Use the holes located on the Top Ledge and Bottom Channel as your guide.
- Further, repeat this process for all the Middle Sections.



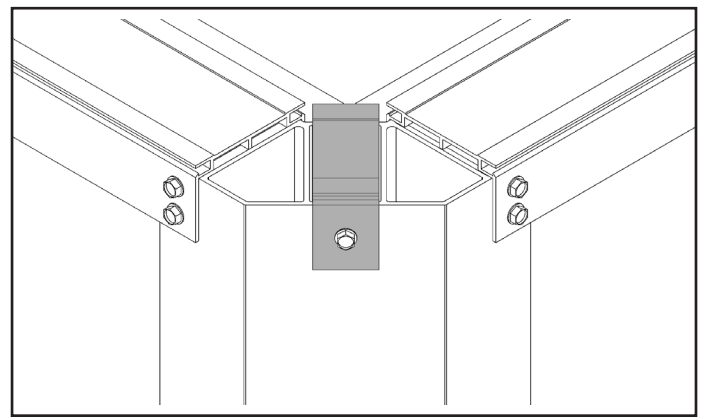
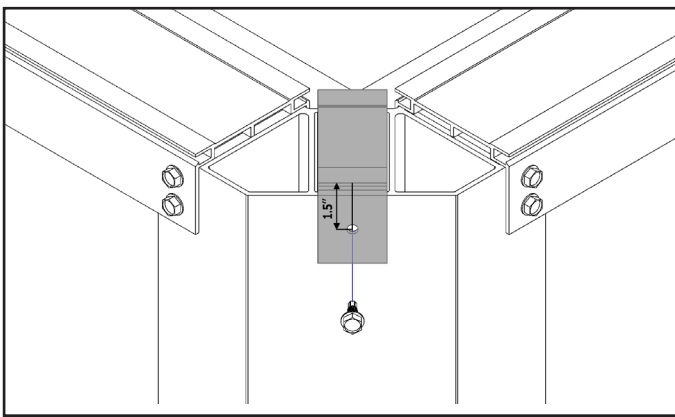
- Then, finally thoroughly recheck all levels and squareness of the pool again, making sure that all of the Wall Panels are exactly squared off and the same height level with each other.
- NEXT, NOW, AT THIS POINT, GO BACK AND VISUALLY AND BY TOUCH CHECK THE TIGHTNESS OF ALL THE SCREWS OF THE ENTIRE POOL.

Step 8

Stationing Ledge Covers:

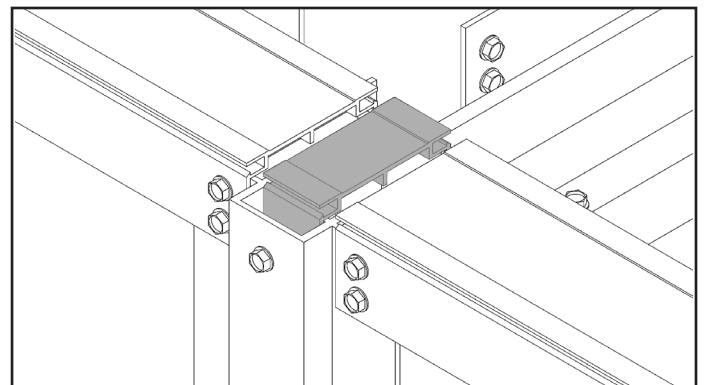
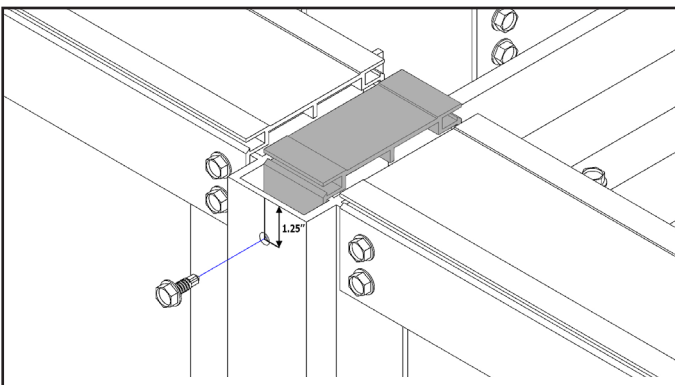
- By using a 1/4" drill bit, drill one centered opening in four Ledge Covers according to the illustration below on the left, making this hole 1.5" down from the top of the Ledge Covers. Next, place and screw these four Ledge Covers into the four Corner Posts, using 1" self-tapping screws as demonstrated below.

Note: Before screwing for easier screwing, please pre-drill all the necessary openings by using a 11/64" drill bit through the pre-drilled 1/4" openings mentioned.



- By using a 1/4" drill bit, drill one centered opening in each Buttress Post according to the illustration below on the left, making this hole 1.25" from the top of the Vertical Stand. Next, put one Ledge Cover over each Buttress Post and screw one 1" self-tapping screw through each Buttress Post and Ledge Cover into the inner wall of each Buttress Post as illustrated below.

Note: Before screwing for easier screwing, please pre-drill all the necessary openings by using a 11/64" drill bit through the pre-drilled 1/4" openings mentioned.

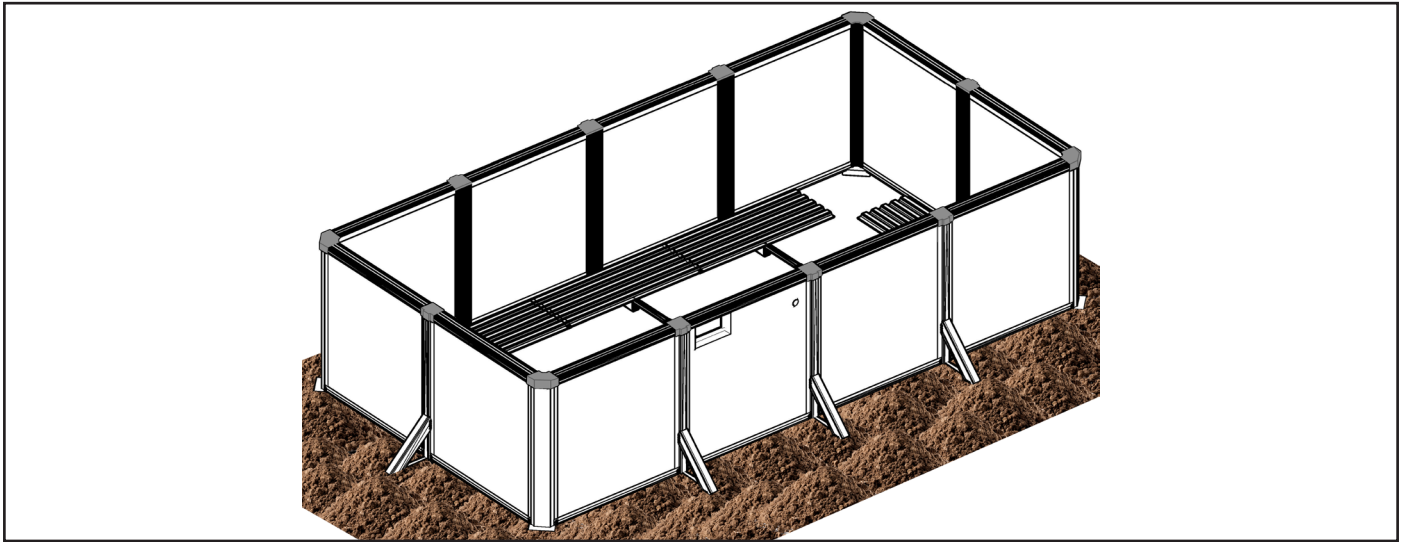


- Afterwards, recheck all levels and squareness of the pool again, making sure that all of the Wall Panels are exactly squared off and the same height level with each other.

Step 9

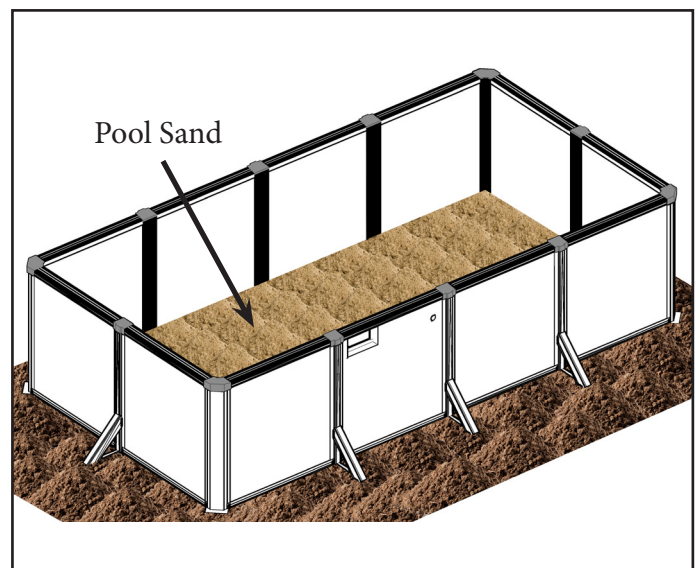
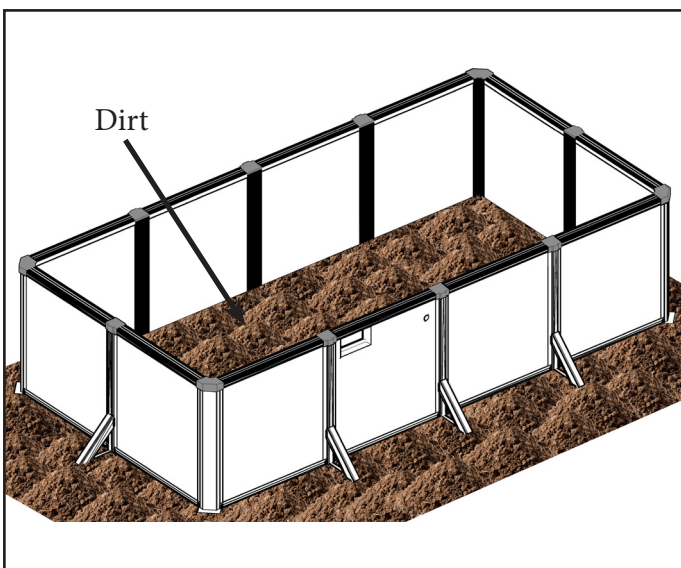
Duct Taping all Seams and Sharp Edges:

- Overlap three layers of Duct Tape to completely cover all the seams that will touch the pool liner on the entire inside of the pool's inner walls.



Spreading Dirt and Pool Sand:

- Evenly spread out some Dirt prepared (not provided) 1" up from the top of the Pressure Plates throughout the entire inside of the pool. Then, also evenly spread out some Pool Sand prepared (not provided) 2" up from the top of the surface of the spread Dirt throughout the entire inside of the pool. Next, create a sand cove gradually going up an additional 5" along the inside perimeter of the entire pool's walls. This will ease the liner's transition from the pool's walls at the bottom to and across the pool's floor. This will also help prevent liner's wrinkles.



CONGRATULATIONS!

Your "THE RECTANGLE POOL" is Installed!!!



Step 10

Liner Installation:

Always follow the pool liner installation instructions that are provided by the liner manufacturer.

Liner Installation Recommendations:

Remove the pool liner from its carton. Stretch out all wrinkles and leave the liner out in the sunlight for about 2 hours to make it softer and easy to work with.

Insert the corner of the beaded liner receiver into any corner of the pools receiving channels (located at the very top, on the wet side, of the pool top ledge). Continue working your way out and down evenly until the liner is completely installed.

If your pool has stairs that go under the liner, start above any top step in any corner. Also be sure to place sandbags in the corners where the treads meet the risers of all steps, decks or benches to prevent the liner from pulling out when filling with water.

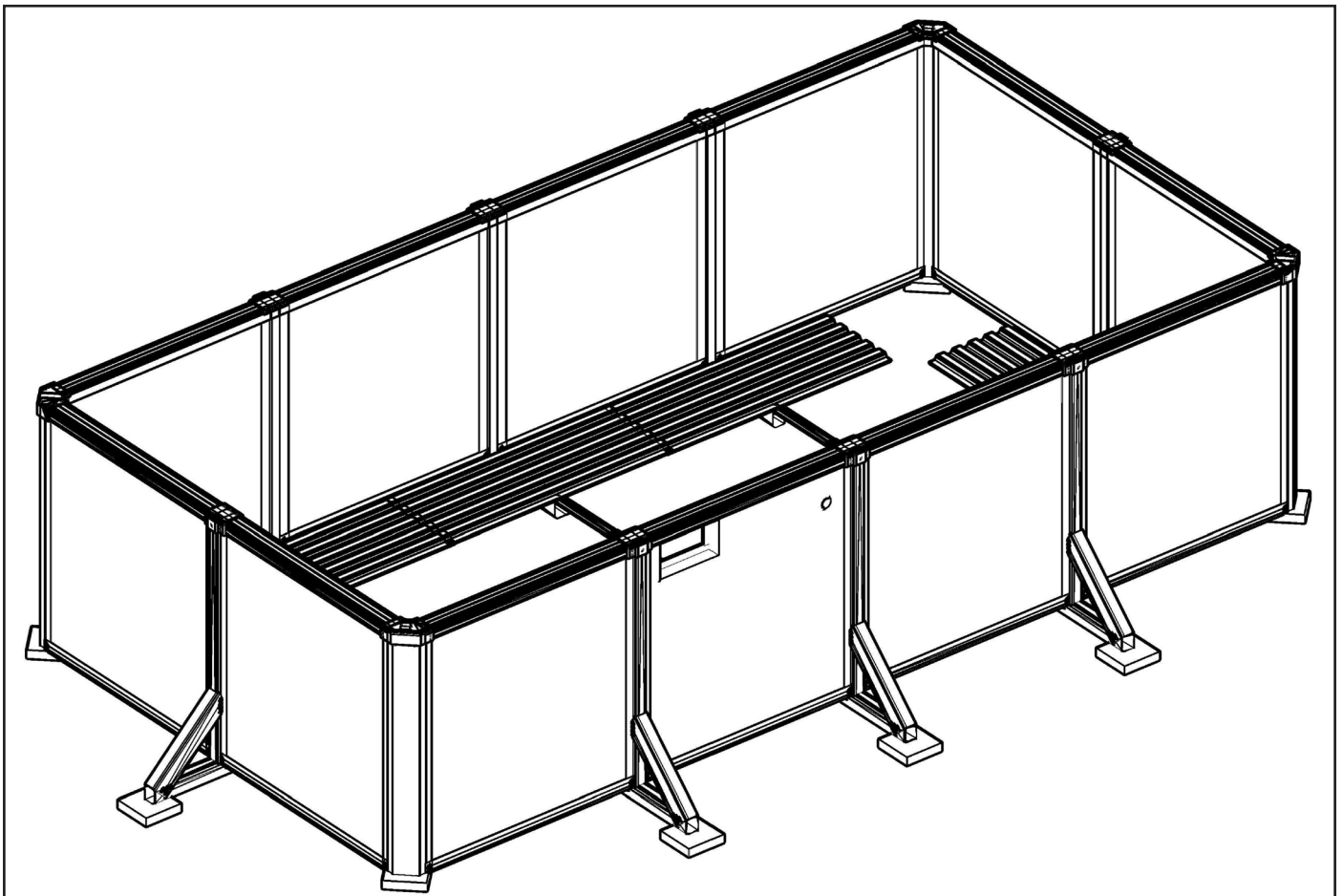
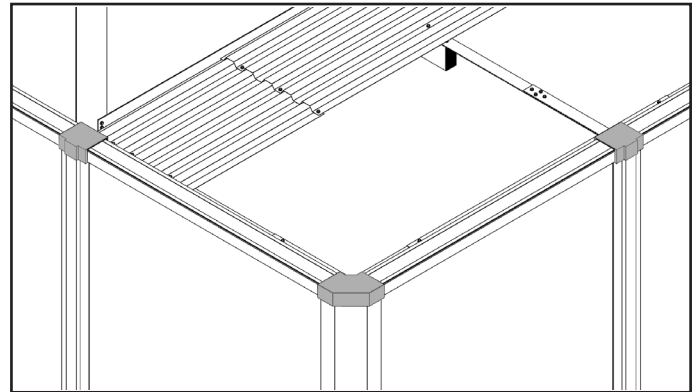
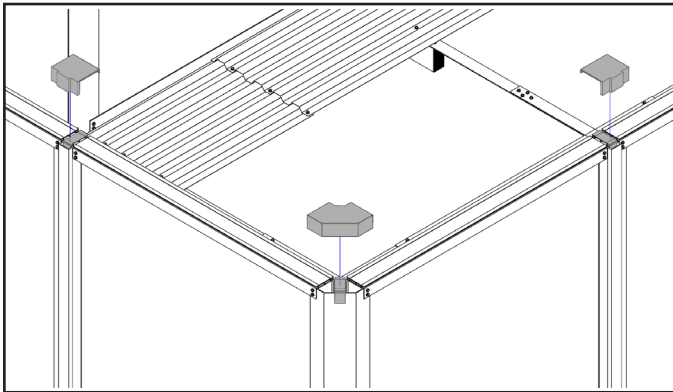
It is also recommended to use a shop vacuum to suck out the air between the liner and pool wall for a uniform tight fit.

Fill the pool with water just up to 6" below the skimmer knock-out hole and wait for about 24 hours before attempting to cut out the skimmer and return holes (to allow the liner to fully stretch). This may prevent the skimmer and return areas from leaking.

Step 11

Inserting all Buttress Caps and Four Corner Caps:

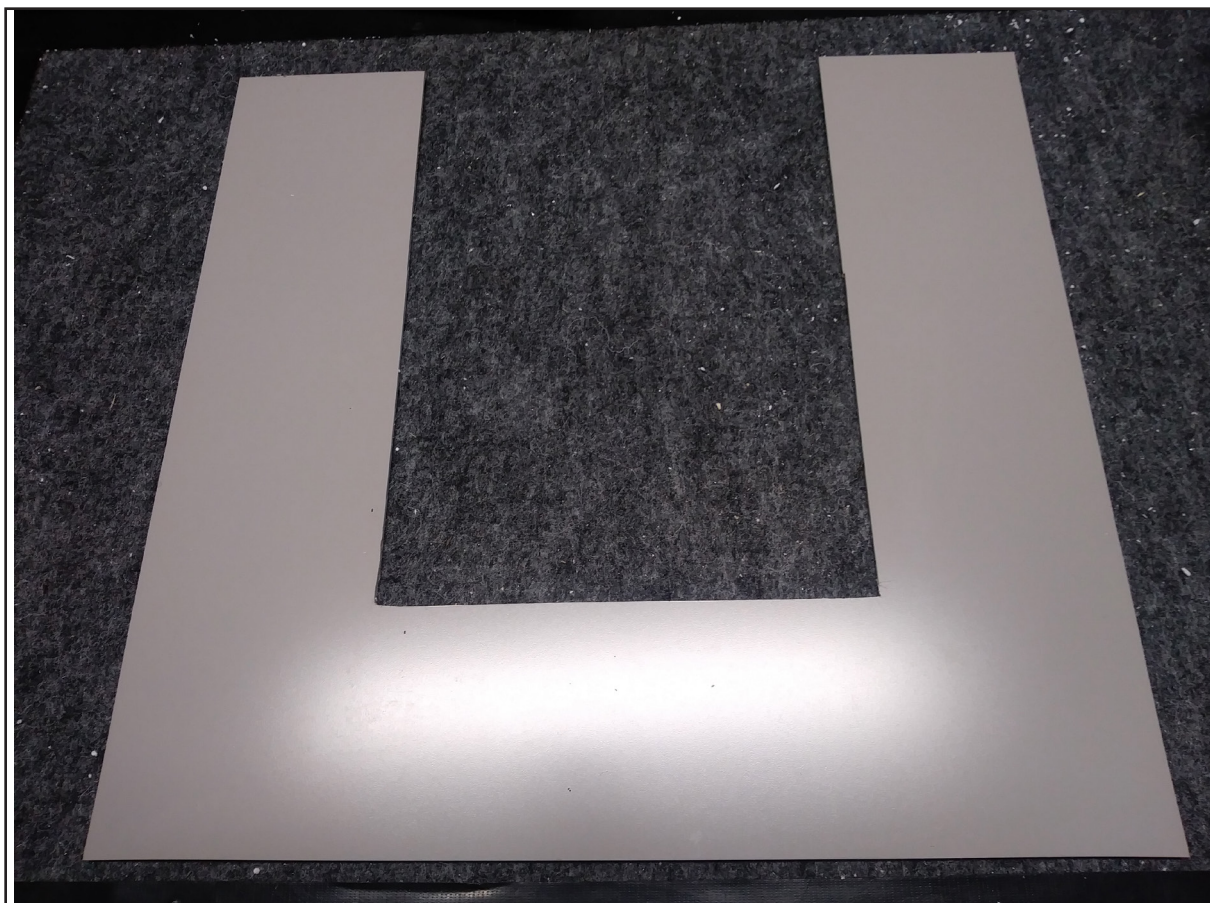
- Interpose all the resin Buttress Caps, depending on your pool size, into the Buttress Posts and four resin Corner Caps into the Corner Posts, covering the Top Ledges, Corner Posts and Buttress Posts and all the seams and 1" self-tapping screws.



Step 12

Mounting Decorative Shield after installing Skimmer

Place Decorative Shield onto Skimmer Panel according to the pictures below. Then, mark seven points on Decorative Shield in accordance with the third picture below. After that, screw seven 1" self-taping screws through Decorative Shield by using these marks.





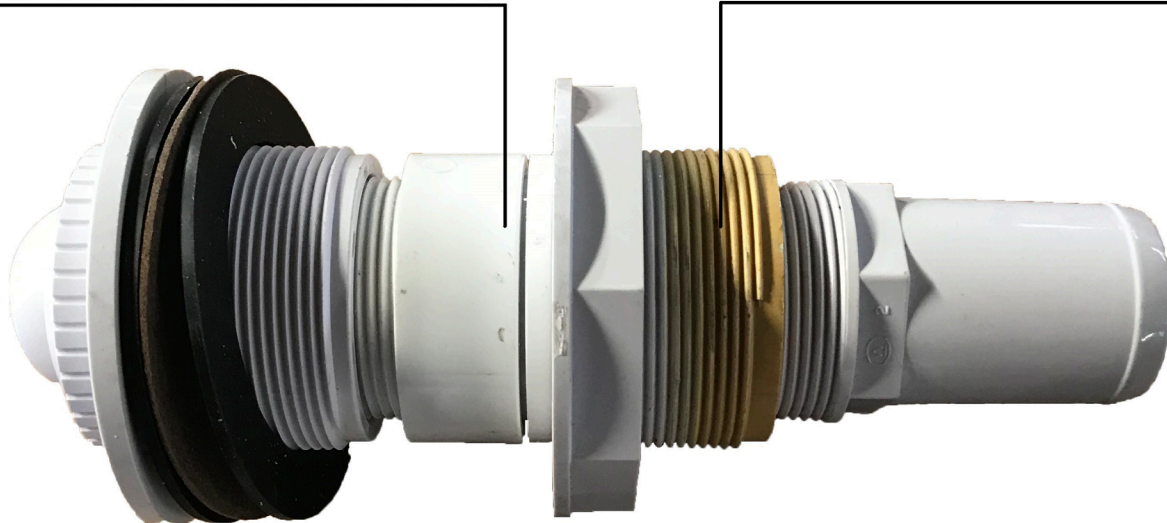
Skimmer Extension Fitting

It is used for extending a Skimmer Return through a 3" Wall Panel.

Please assemble the Return for the Skimmer and Return Panel by using the additional Return Extension A and Return Extension B according to the photo below.

Return Extension A

Return Extension B



Return Extension A

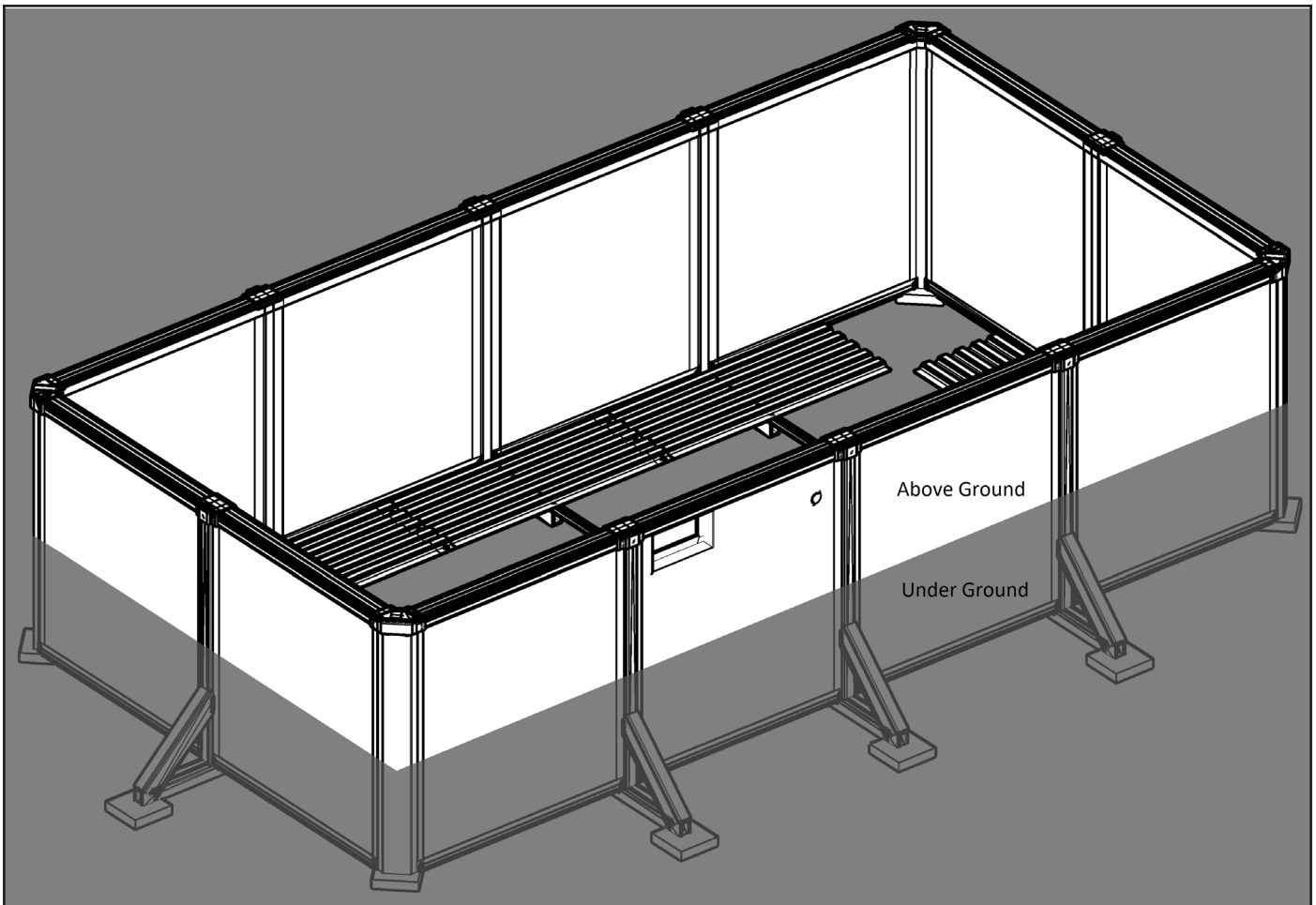
Return Extension B



Semi-In Ground

IMPORTANT: Before starting the Installation Process, PLEASE read the entire Instruction carefully and comprehensively step-by-step to follow all the information mentioned. Otherwise, if you do not follow the Instruction out completely, the Pool Warranty attached to the Instruction will become void.

For Semi-In Ground Installation up to 24” In Ground:



- First, follow the instruction of the Above Ground Pool installation.
- Then, if extra supports are required for patio or deck or other pool features, consider installing them before backfilling the gravel.
- Next, apply tar paper as a protective shield/barrier to the pool wall that will be underground and covered by gravel.
- Next, add some gravel between the space of the pool's wall and ground dirt.
- Next, back fill as the pool is being filled with water, making sure that the gravel is fully settled and lightly compacted as it is added.

In Ground

IMPORTANT: Before starting the Installation Process, PLEASE read the entire Instruction carefully and comprehensively step-by-step to follow all the information mentioned. Otherwise, if you do not follow the Instruction out completely, the Pool Warranty attached to the Instruction will become void.

For In-Ground Installation more than 24” In-Ground:

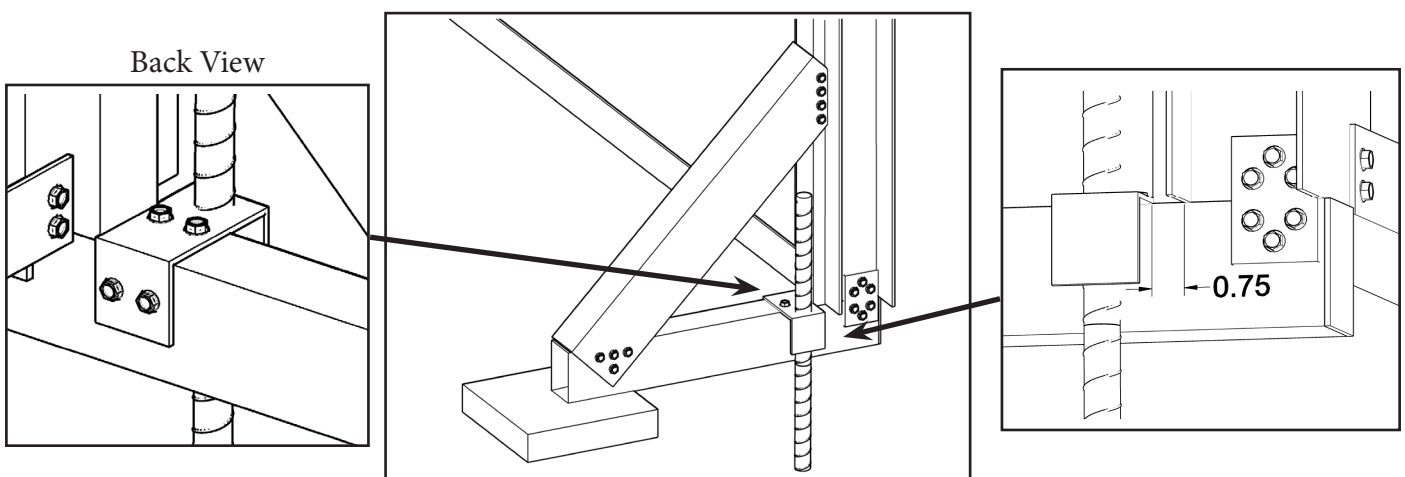


Ground Preparation:

- First, dig a hole 52” deep and 36” wider than your pool size.
- Next, follow the instruction of the Above Ground & Semi-In Ground Pool installation.

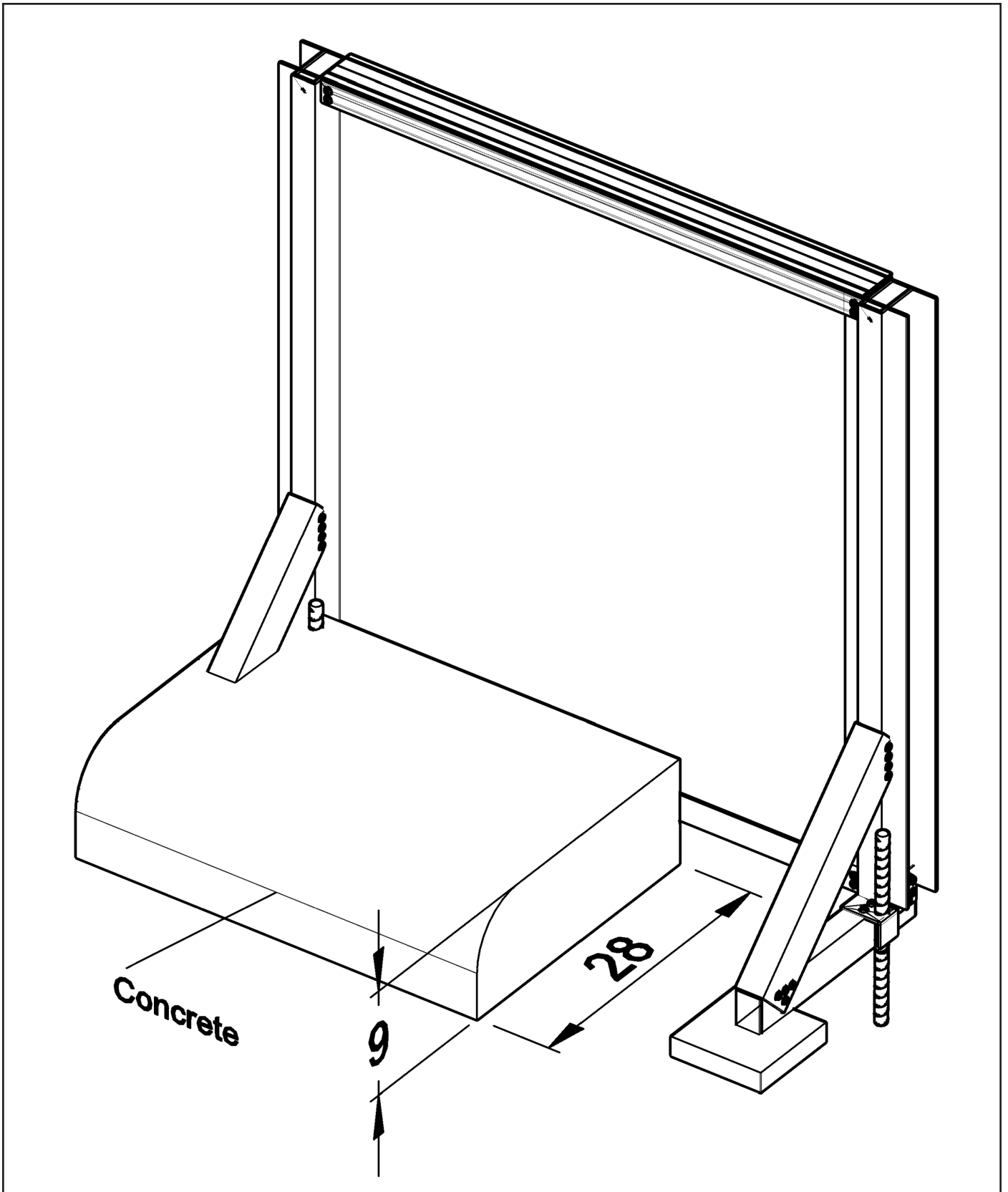
Inserting a Rebar into the In-Ground Buttress Post:

- Next, before placing Horizontal Buttresses into the ground, attach Rebar Channel to the side and top of each Horizontal Buttress by using four 1” self-tapping screws for each Rebar Channel according to the pictures below. Drill out a hole for a Rebar in each Rebar Channel and insert one Rebar into each Rebar Channel in accordance with the pictures. Next, drive 18” of Rebars (not included) through the drilled out hole leaving 7” remaining visible as illustrated below.





- All in ground pools installed over 24" or more in the ground require a collar of concrete 28" wide and 9" high around the pool.
- Pour concrete. Do not fill with water until concrete is hardened.



POOL SAFETY AND MAINTENANCE

IMPORTANT POOL SAFETY AND MAINTENANCE

Keep your pool wall and frame clean. Always wash away any deposits of pool chemicals that land on the frame of your pool. Wash periodically with a mild soap solution (no abrasives). At least once a year use a clear non-yellowing household wax on all metal components. Your pool and liner must be inspected regularly for leaks, corrosion, scratches, and punctures. If any problem is found, IMMEDIATE CORRECTIVE ACTION MUST BE TAKEN. Small repairs and punctures in your liner may be easily repaired using repair kits available at your local dealer. Scratches on your pool wall and frame must be touched up with anti-rust enamel. Wire brush all rust and add a coat of enamel primer followed by a coat of color matching paint. Pool water is full of various caustic chemicals, which will corrode metal parts. If any corrosion is allowed to continue, failure of the pool structure may occur which could result in excessive property damage as well as bodily harm.

The area around and below the skimmer must be carefully and regularly inspected. If these areas are wet, and remain wet for any length of time, it usually means that there is a small leak there. The skimmer/skimmer return gaskets must be replaced when they become defective. Water must not be permitted to continually run down the wall, and, if neglected, the pool will break. If the proper skimmer/skimmer return gasket care is not maintained, your warranty will be void!

Be sure to follow all the local and state safety regulations when installing any accessory to your pool. Any decks and all the entries must be carefully monitored for safety. Installing any other manufacturer's deck or slide is strictly forbidden!

WINTERIZING YOUR POOL

During the winter, your pool is subject to more stress than in the summer, and any breakage that is caused by incorrect winter procedures is not covered by any warranty of this company.

All of our pools and liners are designed to be left up during all the winter season, but nonetheless are subject to the warranty of the liner being purchased. Continue to chlorinate and filter until the pool is closed down.

Before closing down your pool for the winter, you must make a complete inspection of the pool:

- Check all the connections to make sure that everything is tight and in good condition.
- Check to see that the liner is snugly held in place over the wall.
- Check for any indication of rust or deterioration in any part.

IF ANY OF THE ABOVE IS FAULTY, YOU MUST CORRECT THE SITUATION IMMEDIATELY!

Lower the level of water to about one foot below the skimmer intake and return holes. Throughout the winter you must continually check this level, as it must not reach the skimmer holes at any time during the winter.

During the winter, the pool requires the use of an equalizer to allow for the expansion and contraction that occurs when ice is formed and to hold the cover up. This can be a product manufactured for this express purpose and is available at your swimming pool dealer's facility.

The use of a winterizing agent will simplify the start-up of your pool next season.

A cover designed for winter using is also recommended to keep pressure on the equalizer so that it could be forced into the water, keep dirt out and, at the same time, serve as a safety cover.

If your skimmer is supplied with a winter plate and cap, you must still follow the same steps as above.

It is essential that no water be allowed to run down the wall for any period of time. If your skimmer did not come with a winter plate, it is available at a nominal charge from your dealer and it is recommended.

WINTER RULES

IMPORTANT WINTER RULES

After your pool has been winterized and all the steps have been carefully followed, the following checks and procedures must be strictly adhered to during fall, winter and spring seasons.

Your pool warranty will be invalid if the pool has been improperly winterized and the following procedures have not been strictly followed. Pools that have been incorrectly winterized have been known to collapse under the tremendous pressures exerted by ice and snow.

A pool that is left up during the freezing temperatures must not be allowed to leak. It is not uncommon for a leak to develop during rigorous summer using and go undetected. What is thought to be water loss due to evaporation or spillage may be caused by a small leak. Persistent wet areas around the pool should be inspected. To determine if your pool is leaking, mark the liner at the water level and closely observe the water level in the pool for a period of 10 - 12 days after the pool is closed for the season. Any rain during this period may compensate for any undetected water leakage. Therefore, if rain occurs, the observation period must be extended to find any leaks.

Maintain a strict leak inspection schedule throughout the fall, winter, and spring months. Spring thawing, which frequently leads to ground heaving, can be especially dangerous if care is not taken.

Maintain a strict inspection of the inner skimmer housing to see that water does not leak at the gasket. If the skimmer was not removed, water should not be allowed to collect in the skimmer housing as the water will freeze and crack the housing, causing the possible damage to the wall.

If ice, or anything else, cut your pool liner allowing the pool to empty, be sure to release the cover there by removing the weight from the top of your pool. Failing to do so can cause your pool to collapse.

Consult your pool dealer for the proper winter chemicals for quick spring start-up.

As the ground freezes and thaws over the course of the winter, the ground sometimes sinks. The liner, with the weight of the ice and snow on it, may also sink. When this happens, the liner may be pulled out of its coping.

Be sure to pull off all excess snow and ice from the winter cover.

Do not permit ice skating or horseplay during the winter as this can cause the pool and liner damage, as well as serious injuries.