

Installing the skirting supports: This step will require the supplied screws #7, Impact driver, 5/16" Nut driver, vise grips or C clamps, and the provided foam blocks (#19)



- 1. Three row of skirting supports will be placed around each pool. Start at a panel joint and place skirting support at the appropriate height (13 7/8" up from the bottom of the wall panel). This will be the bottom row.
- The skirting support must be at the appropriate distance from the face of the wall panel as well. **(Helpful Hint - Use a provided foam block (#19) to achieve the appropriate distance by temporarily placing it between the wall panel and skirting support next to the panel joint)**
- Use a clamp or help from another person to hold the support at the appropriate height and distance from the face on the

- 2. Secure the support to the side flange of the panel with a self tapping screw #7
- You may find it beneficial to use two screws to secure the support and prevent it from pivoting.





- **3. Pull the free end of the first support out and Repeat steps 1 and 2 at the next panel joint with a second skirting support.**



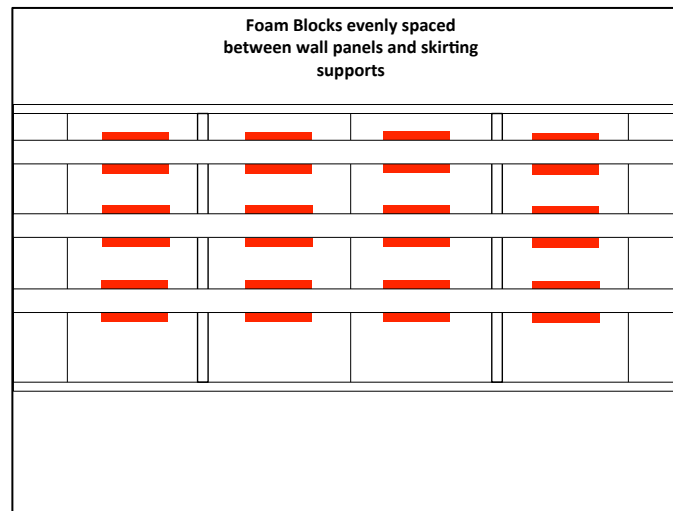
- **4. The loose end of the first support will overlap the secured end of the second support just enough to drive another #7 screw or two.**
- **Attach the loose end of the first support to the secured end of the second support using #7 screws.**

- 5. Continue this process around the perimeter of the pool until all of the skirting supports are installed.

Note: Skirting supports will be placed through the slots on each buttress brace if installing a Grecian or Oval shaped pool.



- 6. Next you will need to install the provided foam blocks between the back of the pool wall and the skirting support. Make sure that the surfaces of both the wall panels and the skirting supports are clean and free of debris. Then simply peel the film off the back and of the block and press it against the pool wall just behind the skirting supports. You will want at least 2 foam blocks evenly spaced between each panel joint to provide extra support for attaching the skirting panels. (See image below)



- Once completed you are ready to begin the installation of the skirting panels.

Installing the skirting panels: Note – This step needs to be done after pouring footer.



Each pool will have the option of synthetic wood skirting to be installed around the perimeter of the pool. The skirting is secured to the outside perimeter of the pool by using the provided screws (#7) to attach each piece of skirting material to the pool wall at the top and bottom. The top of the skirting will be screwed to the top flange of the pool wall and the bottom will be attached to the provided steel skirting supports. This will give the pool more of a finished look. This option is beneficial if you are not planning on installing a deck around the pool. The skirting material is made up of synthetic wood paneling that will come pre cut at 4' x 6' and will be installed around the outside perimeter of the pool and flush with the top flange of the pool. Each skirting kit will also include steel skirting supports, T strips for each joint in the skirting material, and brace covers for each brace on the pool if needed. See below for a list of appropriate skirt panel and T strip quantities for each specific pool shape and size.

Ovals:

- **12 x 24 Oval** – 14 Skirt Panels – 4 T Strips – 10 Brace Covers
- **15 x 30 Oval** – 15 Skirt Panels – 6 T Strips – 10 Brace Covers
- **18 x 33 Oval** – 16 Skirt Panels – 10 T Strips – 12 Brace Covers

Rounds:

- **15' Round** – 59' Skirt – 1 T Strip
- **18' Round** – 69' Skirt – 1 T Strip
- **21' Round** – 78' Skirt – 1 T Strip
- **24' Round** – 87' Skirt – 1 T Strip

- **28' Round** – 100' Skirt – 1 T Strip

Grecians:

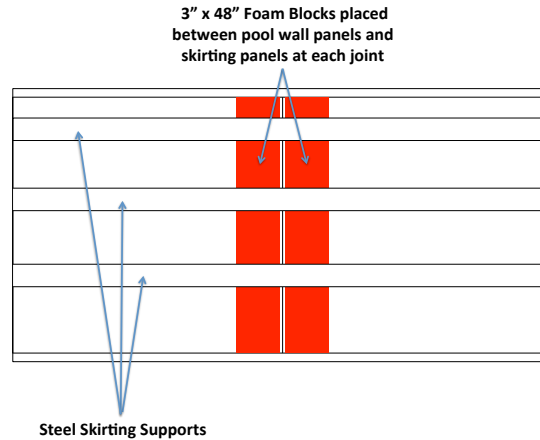
- **12 x 24 Grecian** – 14 Skirt Panels – 4 T Strips – 10 Brace Covers
- **14 x 28 Grecian** – 18 Skirt Panels – 4 T Strips – 14 Brace Covers
- **16 x 32 Grecian** – 17 Skirt Panels – 7 T Strips – 17 Brace Covers
- **18 x 36 Grecian** – 21 Skirt Panels – 8 T Strips – 20 Brace Covers

Freeform:

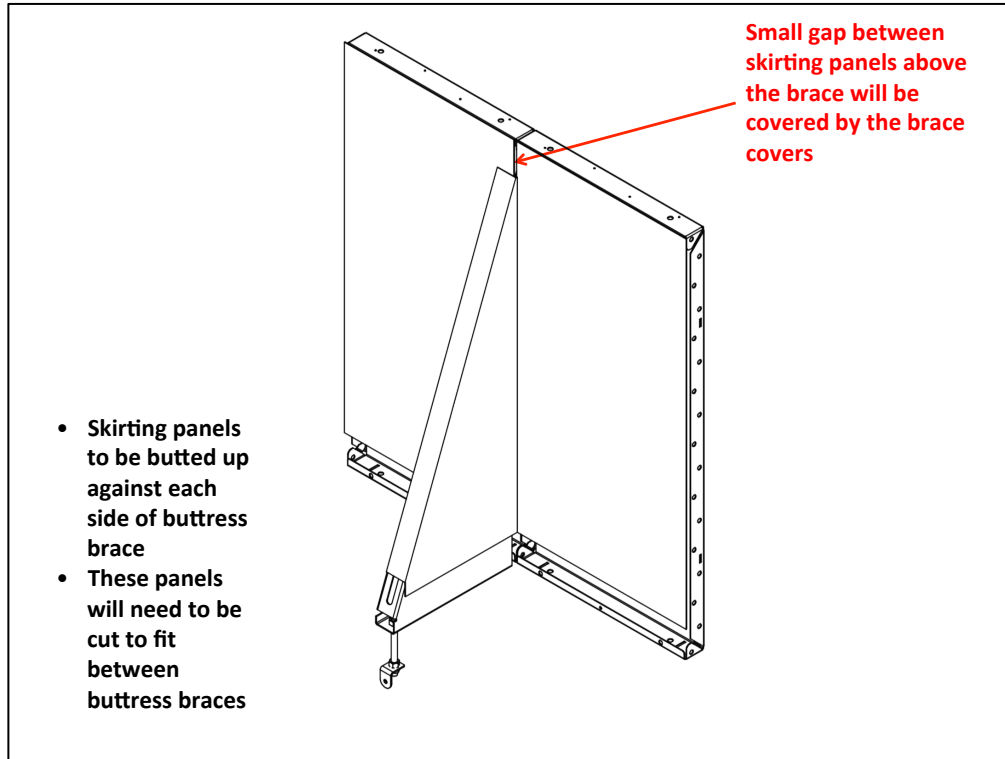
- **13 x 22 Freeform** – 10 Skirt Panels – 6 T Strips – 8 Brace Covers
- **16 x 28 Freeform** – 13 Skirt Panels – 8 T Strips – 9 Brace Covers
- **18 x 32 Freeform** – 14 Skirt Panels – 10 T Strips – 9 Brace Covers

*** Please note that due to the unknown nature of your landscape you may need to trim each skirting panel. It is highly recommended that no more than 6" of backfill material be against the skirting material anywhere around the pool.**

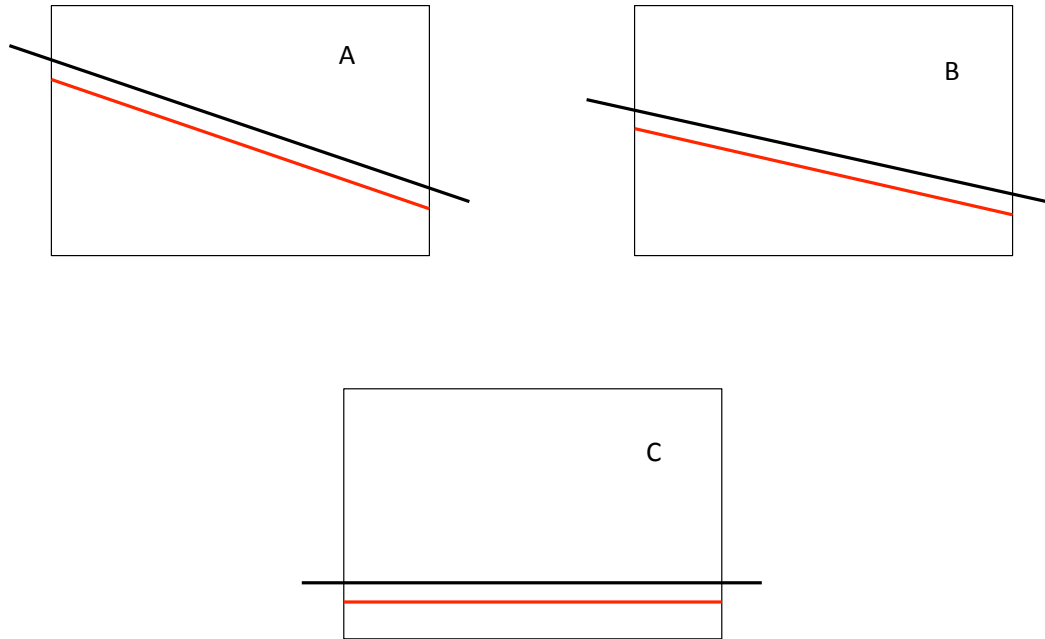
- Start by placing a section of skirting against the pool wall. You will want to start a few inches past a panel joint. Secure one corner of the section of skirting material to the backside of the pool wall with the provided screws (#7). Be careful not to tighten the screw to the point at which the skirting material begins to crush. You will want the top of the skirting to be flush with the top of the pool wall.
- You will also need to install the provided 3" x 48" foam blocks (#20) at each joint in the skirting material. This will help to keep each section of the skirting material flush with one another.
- Simply place two foam blocks, evenly spaced behind each section of skirting at the skirting joint. (See image below)



- When installing skirting panels on the radius of a pool (Ovals and Rounds) you will want to make sure that you drive the screw in between the flange segments of the pool walls top flange. (Drive screws as high as possible so they will be hidden once the top rail is installed)
- Raise the other end of the skirting section into place keeping it flush with the top of the pool wall and secure it with another screw.
- Secure the rest of the skirting panel to the top of the wall panel by driving a screw every 8 to 10 inches.
- Next, secure the bottom of the skirting panel to the pool wall by driving screws through the panel and into the skirting supports. Again you will be driving a screw every 8 to 10 inches.
- You will attach each skirting panel to the pool in this way. However, you will want to leave a small gap (1/8") between each section of skirting panel to allow enough space to install the T connectors (T shaped joint covers) between each skirting section.
- You may have to cut the last section of skirting that you install down to the appropriate size to fit properly.
- If installing the skirting paneling on a pool that has straight wall sections such as an Oval or Grecian shape you will likely need to cut some sections of the paneling to allow them to butt up to the buttress braces. You can use a circular saw to do this.
- You will repeat this process on every section of skirting that will reside along the straight wall of the pool where a buttress brace is installed. (See Image Below)



- In addition to cutting the skirting panels at each panel joint that will have a buttress brace installed, you will also need to cut the skirting material to allow the skimmer and return to be installed and plumbed.
- The skimmer, once installed will stick out further than the skirting material, thus the skirting material must be cut to allow the skimmer mouth to pass through and attach to the wall of the pool.
- The return fitting once installed will not stick out further than the skirting material however for plumbing purposes you will need to cut a hole in the skirting material to allow a plumbing pipe to pass through and connect to the return fitting.
- As mentioned before depending on the topography of your backyard you may need to trim the skirting panels so that any backfill material against the skirting is no more than 6" up on the skirting material. (See Image Below) The red line represents the bottom edge of the skirting material in different scenarios. The black line represents backfill material against the skirting (No more than 6" up the skirting)

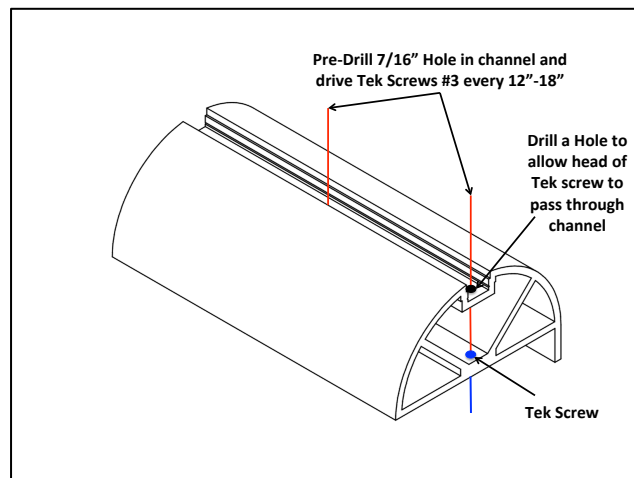


*** Special Note about Skirting for Round pools: The skirting material on all available round pools will come as one continuous roll. There will be one joint where the beginning and end of the skirting material meet. This is the only place that will require the use of a T strip. The skirting will be installed in the same manor as the other shapes detailed above however rather than having multiple sections of skirting material, there will be just one continuous sheet to span the entire outer perimeter of the pool.**

Installing the Optional Top Rail:



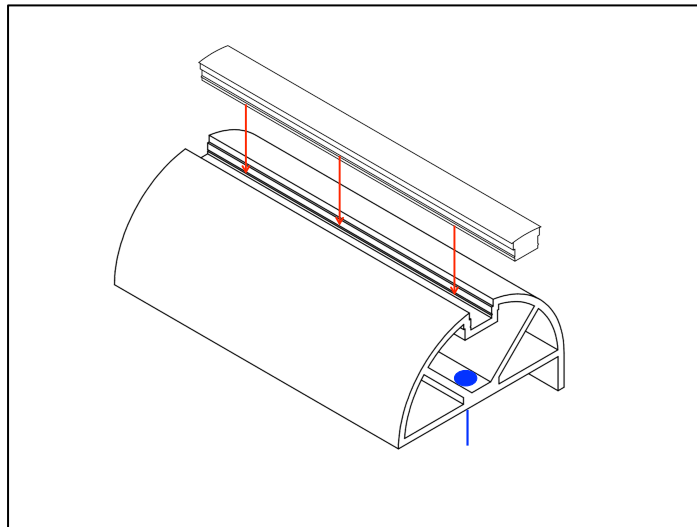
- Regardless if using the standard top rail or the deck mount top rail, the top rail will come in 8' sections. It will be installed on the top flange of the pool walls. This will conceal the top of the pool wall, skirting panels, and T strips all the way around the pool.
- The top rail is secured to the top of the panels using self-tapping screws #3 approximately every 12" - 18" around the pool. (See Below)



- Pre-drill a 7/16" hole through the top of the top rail in the center of the channel while being careful not to drill through the bottom of the top rail. This will allow the head of the screw to pass through the channel.
- You will continue around the perimeter of the pool in this fashion until the entire perimeter is covered with the top rail. (You may need to cut excess off to fit)
- When installing the top rail on a Grecian shaped pool it is ideal to start with the 45-degree corners of the pool.
- The top rail is flexible enough to bend around the 45-degree corner with ease.
- Secure one side of the 45-degree corner down using a tek screw as close to the corner as possible. Next secure the top rail just on the other side of the corner as close to the corner as possible.
- From there move out from the corner 12" to 18" and secure the top rail down.
- Repeat this process at every 45-degree corner.
- Another option would be to make 45-degree cuts on the ends of two pieces of top rail and butt them up together in the corner. (Keep in mind that there are no 45-degree top rail clips to conceal the joints in the corners)
- Once all of the corners are secure you can begin installing the straight sections of top rail between the corners. (You will need to cut off any excess top rail)
- Once the top rail is secured to the top of the pool walls, the top rail insert can be installed to hide the channel containing the screws.

Installing the Top Rail Insert:

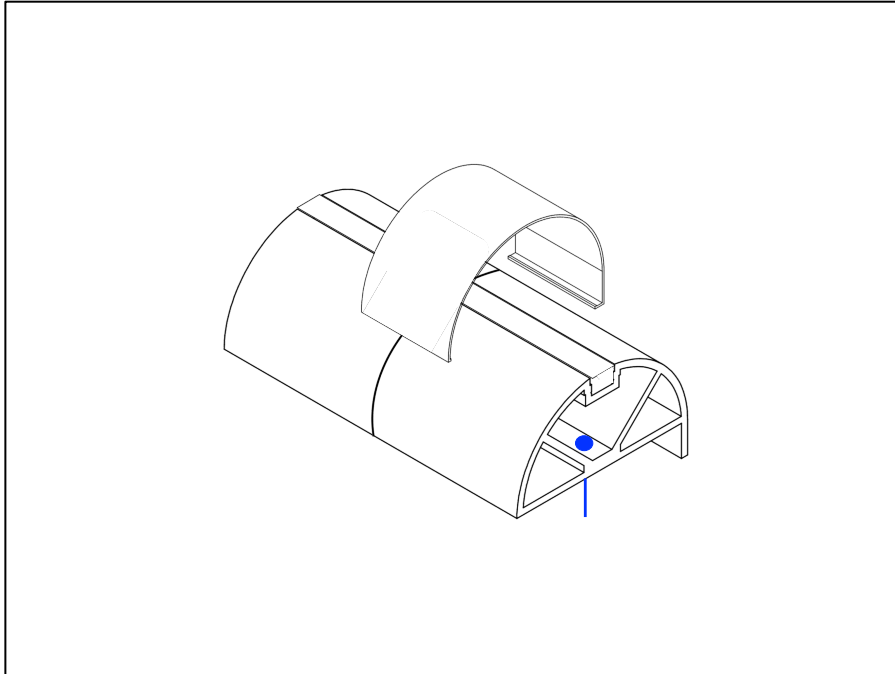
- Once all top rail sections are installed you will need to install the top rail insert.
- You will need to apply the Funmastic Adhesive (#23) prior to installing the top rail insert.
- Simply apply a bead of the adhesive in the center of the insert channel around the entire perimeter of the pool walls.
- This adhesive will become tacky and help to keep a secure hold of the top rail insert piece.
- Once the bead is applied in the insert channel you can begin installing the top rail insert.
- The top rail insert will come in rolls containing the needed amount based on the size of pool that is ordered.
- This will sit flush in the channel of the top rail, which will effectively conceal the channel and tek screws contained with in it. (See Image Below)



- The top rail insert simply snaps into place when adequate pressure is applied. (A rubber mallet may help to snap the insert into place)
- A good way to hide the joints of the top rail insert is to line the joints of the top rail insert up with the joints on the top rail itself. (You will be installing top rail clips over the joints in the next step which will conceal the joints)
- You may need to cut the last piece of top rail insert to fit.
- Once all the top rail insert pieces are installed you are ready to install the top rail clips.

Installing the Top Rail Clips:

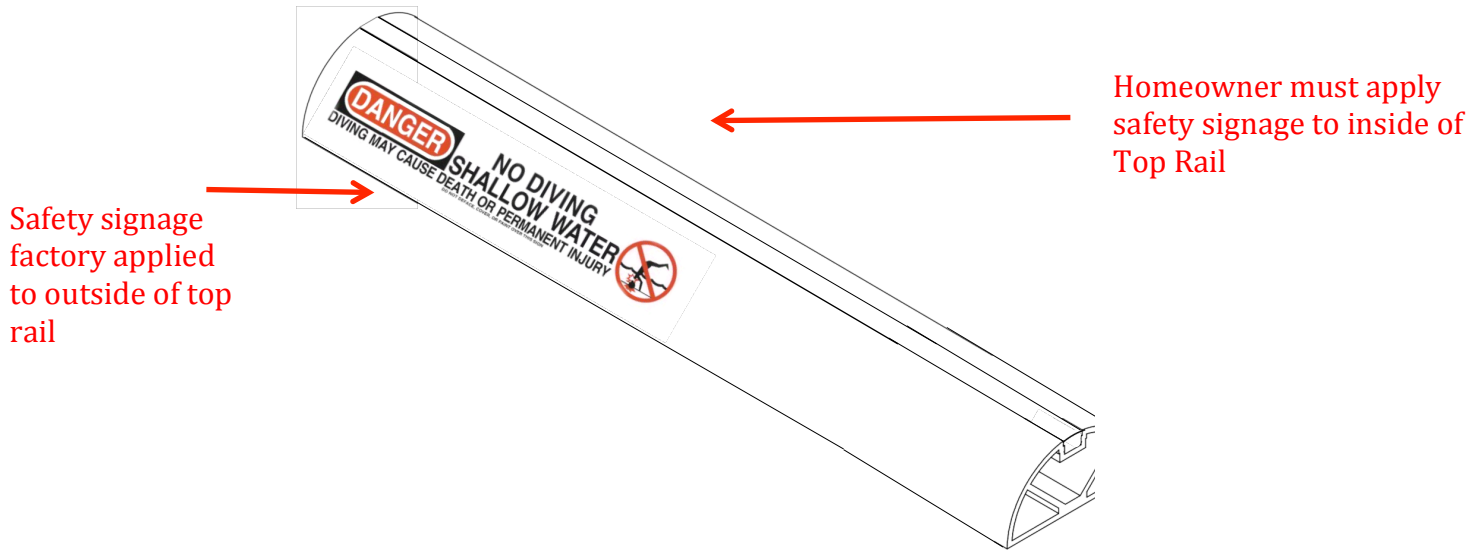
- As mentioned above, the top rail clips are designed to conceal the joints in the top rail pieces. (See image below)



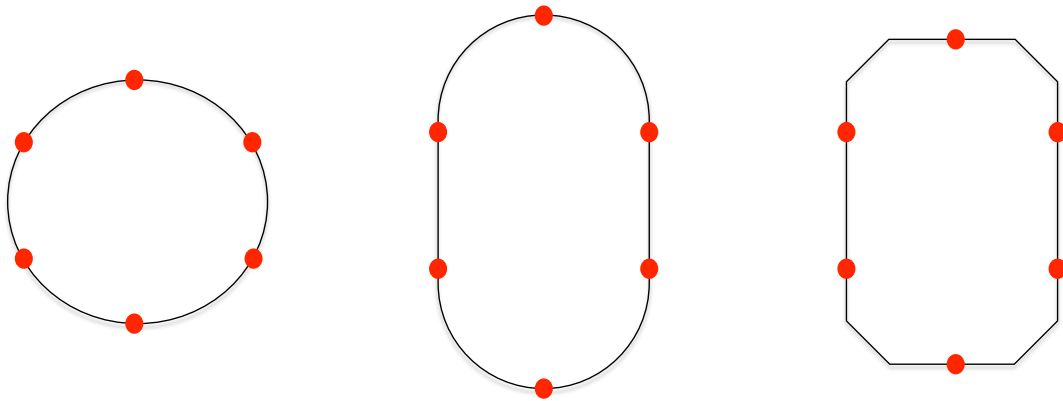
- The top rail clips will be secured to the top rail using the provided adhesive (#21). You will use apply the adhesive on the back of each top rail clip.
- If standing inside the pool, you will hook the backside of the clip on the backside of the top rail and then push the front of the clip down until it snaps into place. The adhesive will help to secure the clip to the top rail.
- Be sure to center the clip on the joint. The goal here is to make sure that the joint in the top rail is directly underneath the center of the clip.
- You will repeat this process at every top rail joint around the pool.
- When all clips are installed you are ready to install the mandatory safety signage.

Installing the Mandatory Safety Signage:

- For your convenience and safety, No Diving Stickers have been factory applied to the outside section of each top rail.
- Additional safety stickers are provided with every pool kit and must be installed on the inside of the top rail for the pool by the homeowner or installer.



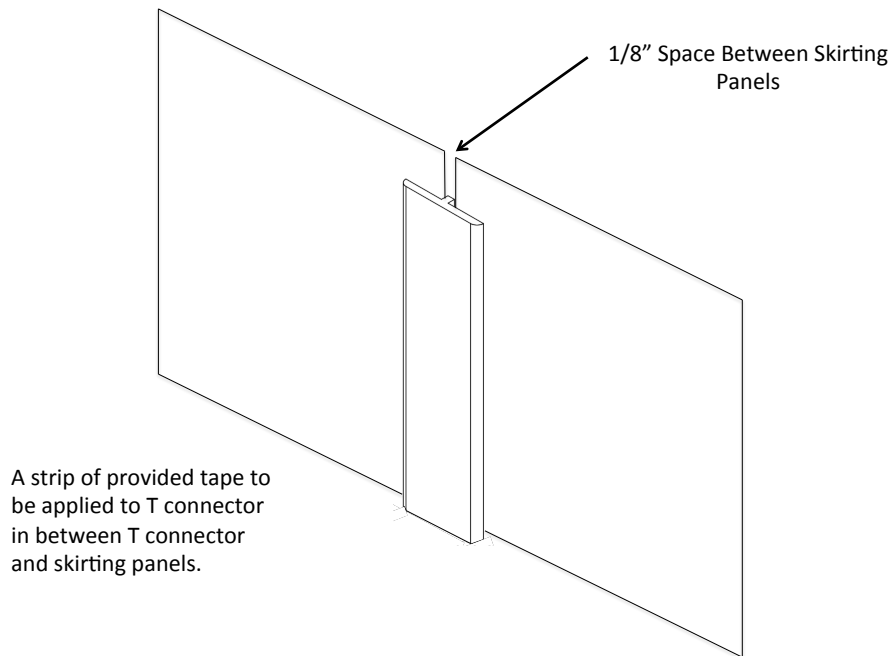
- Each safety signage pack will come with 14 of these top rail safety signs. These should be distributed evenly around the perimeter of the pool. (See images below for recommended safety signage placement for each shape of pool)



*Please note that some signage is applied in the factory, however it is your responsibility to apply additional signage as noted.

Installing the T Connectors:

- Once all sections of skirting and top rails have been installed on the pool you will install the T strips.
- The T strips will be installed at each skirting joint **After The Top Rail** by applying strips of the provided tape (#21) to the T connector and pressing the “small T” through the opening between the skirting panels.
- The T strips will need to be butted up against the bottom of the top rail.



T-Connector Installation

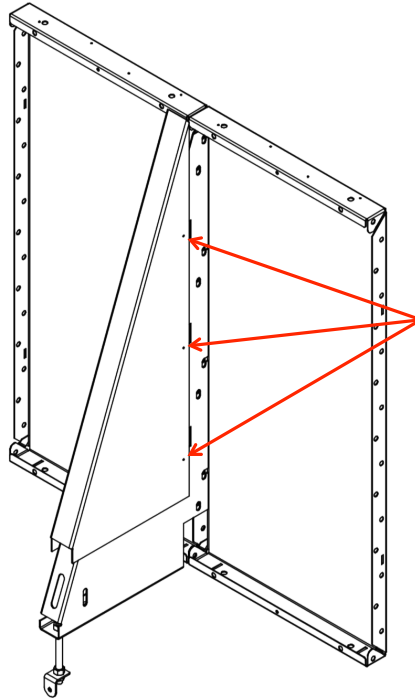
Brace Cover Installation:

If installing the skirting on a Grecian or Oval shaped pool, the buttress braces will need to be covered with the supplied brace covers. This step will require the supplied brace covers (#11), brace cover screws (#7), the supplied 2" wide steel straps, and the supplied foam blocks (#19).

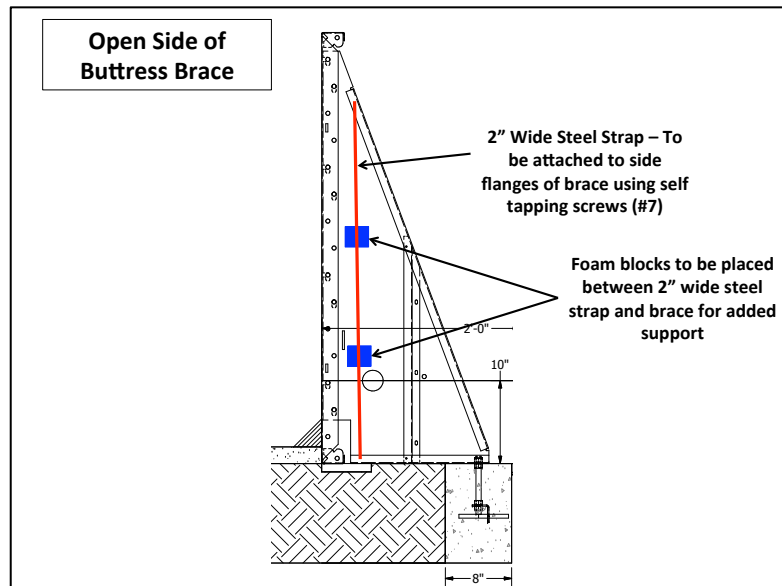
- The supplied 2" wide steel straps will need to be attached to the brace on the open side of the brace. The brace cover will be screwed to the strap on the open side of the brace.
- The brace cover will come as one piece. It will be slid down over the brace from the top.

- Once in place you will use the supplied screws (#7) to secure the cover to the brace in the locations specified in the diagrams below.

Brace cover will have pilot holes to be used for screwing cover to brace



Attach to skirting using screws (#7) on both sides of braces through the pilot holes in brace cover (Open side will be secured to 2" wide steel strap)



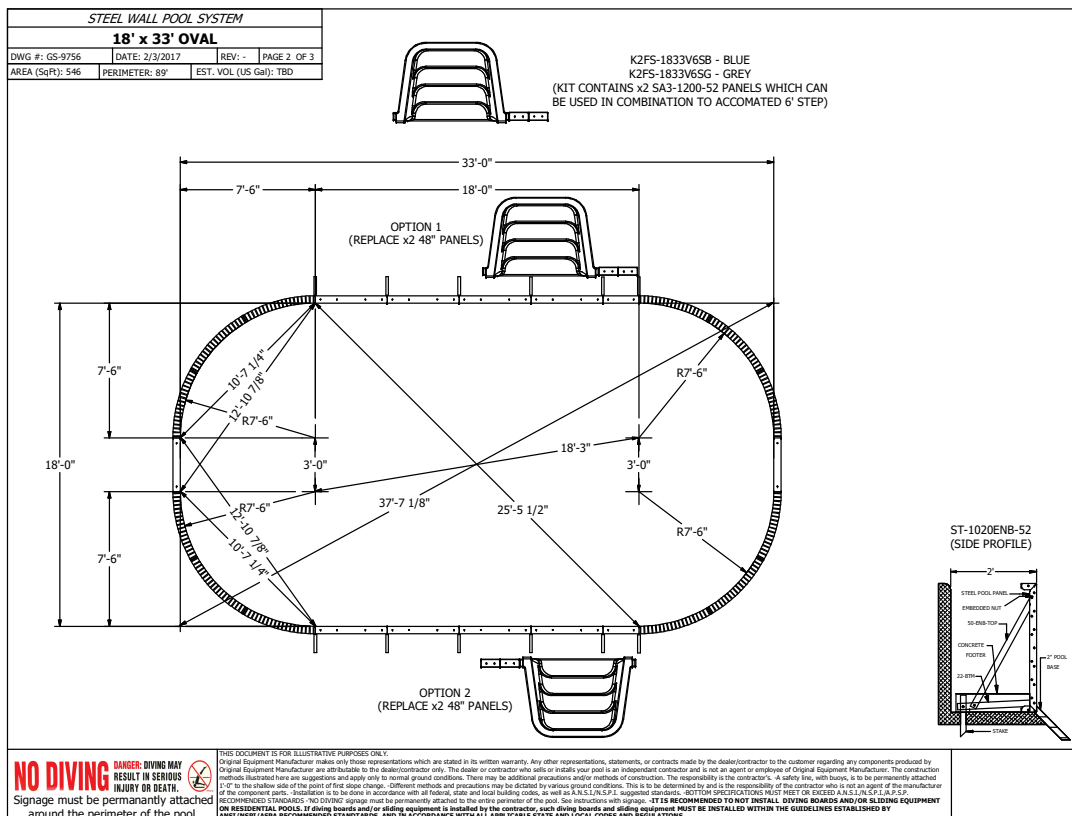
* Repeat this process for every brace on the pool.

Installing the optional Step Ladders:

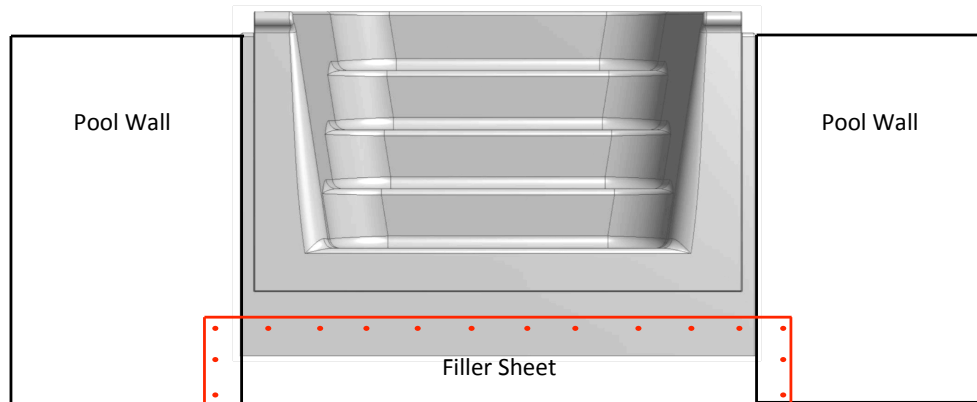
Please follow the manufacturers installation procedure provided in the box with the ladder.

Installing the Fiberglass Step (Optional):

If the pool was ordered with a step, it will come with two filler panels that are needed to attach the step to the rest of the pool and will need to be installed. (See image below)



- Because the step is 48" tall and the pool walls are 52" tall, you will need to raise the step to the height of the wall panels and install the provided filler sheet to fill the void under the step. (see image below)



* Use pan head, self tapping screws to attach the filler sheet to the pool walls and step.

- 3/8" holes will need to be drilled into the step to bolt it to the wall panels on either side. The easiest way to do this is to use vise grips or clamps to hold the step in position with the wall panels.
- The front side of the step (closest to the inside of the pool) will need to be in line with the wall panels on either side both front to back and up and down. Once the step is properly aligned with the wall panels you can begin drilling the holes into the step.
- Use the existing holes along the **back** edge of the steel wall panel side flanges as a template for drilling.
- **Do not drill through the holes closest to the face of the panels.**
- You can drill one side of the step at a time.
- Once holes have been drilled, using nuts and bolts (#1 & #2), secure the step to the wall panel. When one side is secure you can then move to the other side and repeat the procedure. Please see step diagrams for the appropriate filler panel and step details for each size and shape pool.
- A brace will need to be installed on both sides of the step where the wall panels meet the step.
- Check the square of the pool; check the diagonals of the pool walls. These measurements will be provided on the pool drawing.
- Check the width at various points along the long walls.
- Check overall length of the pool.

If Concrete deck is needed around the pool:

It is recommended that the pool be backfilled with a non-compressive material. For further recommendations please contact your concrete contractor.