



COVER ORDER AND MEASURING FORM

STEP:1

Company: _____
 Address: _____

 City State ZIP
 Phone: () _____
 Ordered By: _____
 PO # _____
 Date: _____
 Email: _____

STEP:2

SHIPPING INSTRUCTIONS

Company: _____
 Address: _____

 City State ZIP
 Phone: () _____
 O Mark Box: _____
 Ship Via: _____

STEP:3

ORDER / QUOTE

Quote Only Order

Mesh Safety

98 Green 92 Green 92 Blue

Solid

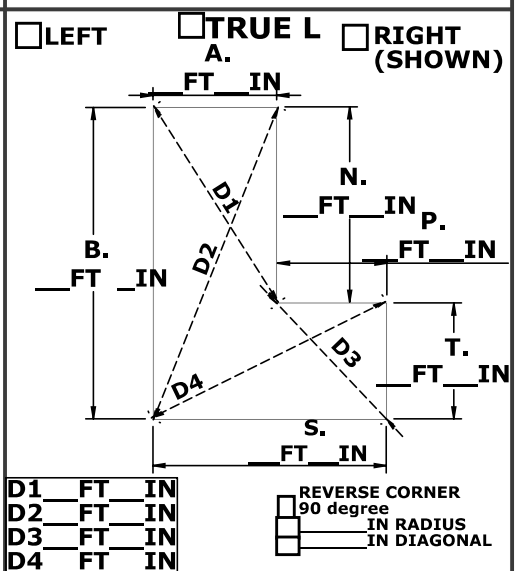
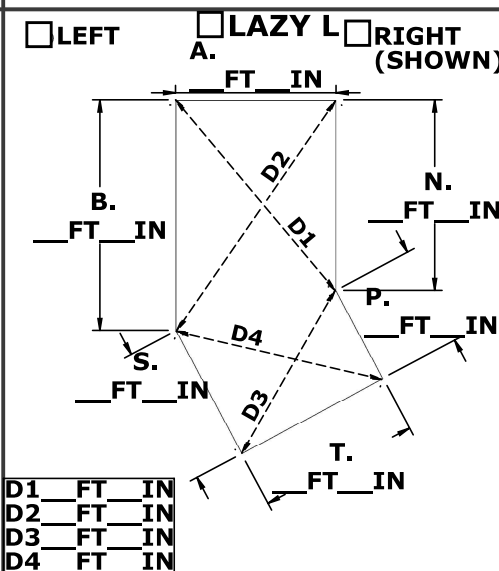
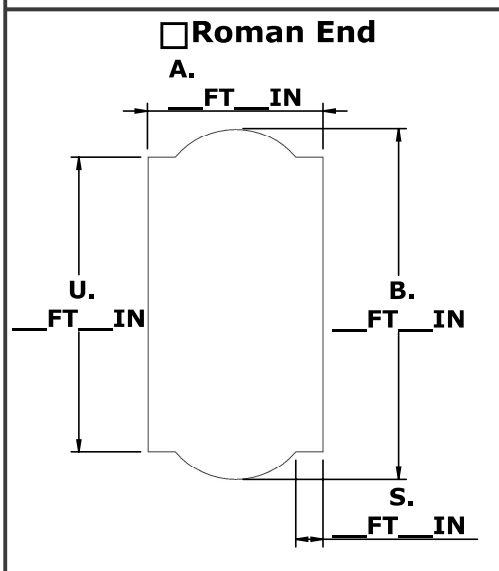
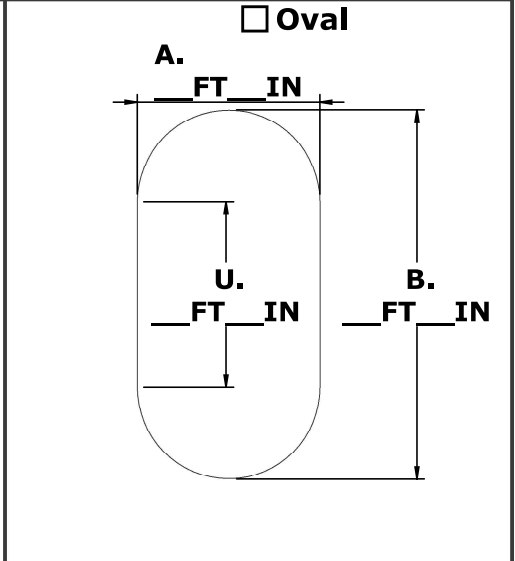
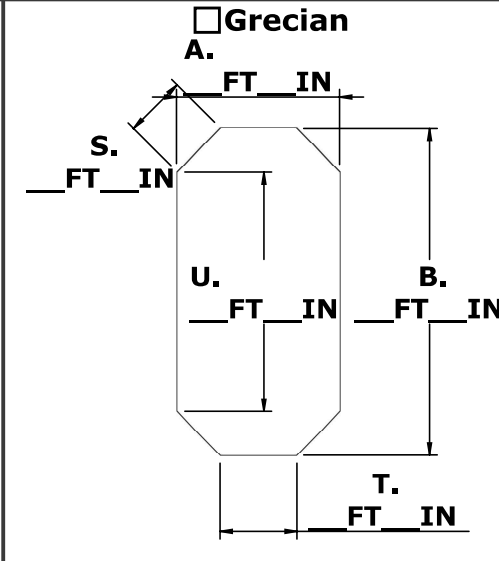
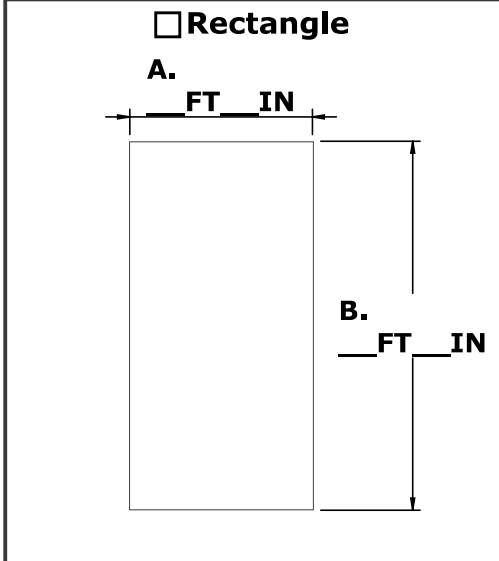
Light Winter Blue
 Heavy W/Drain Green

Anchors Spacing

Brass Anchors 5x5 Strap Spacing
 Wood Anchors 3x3 Strap Spacing
 Lawn Stakes Custom Spacing

STEP:4 SIZE Pool size Cover size

STEP:5 SELECT POOL SHAPE



STEP:6 POOL CORNER SIZE

STEP:7 ADDITIONAL INFO

STEP:8 ADDITIONAL ITEMS

Radius _____ FT _____ IN
 Diagonal _____ FT _____ IN
 Radius corners 2' and smaller will have a diagonal corner, unless requested. An up charge may apply.

Additional information on page 2. (Steps, Swimouts, X-Y forms, etc)

Additional Hardware: (only if extra hardware is required)
 Anchors/Brass Qty-Wood Deck Qty
 Masonry Anchor Collars Qty
 Springs Qty-Spring installation tool Qty
 Allen Anchor wrench Qty

___ Number of Steps/Swimouts NO external steps

Step#1: Location A B C / Size ___ by ___

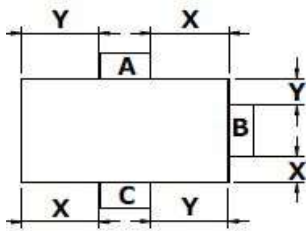
Distance From: X ___ & Y ___

Step#2: Location A B C / Size ___ by ___

Distance From: X ___ & Y ___

Step#3: Location A B C / Size ___ by ___

Distance From: X ___ & Y ___



Some Pools are not built to Manufacturers specs. It is important that you verify the dimensions.

Note: Proper installation is the responsibility of the Dealer/ Consumer. I Understand the above warning and recommendations, certify that I will abide by all pertinent conditions, and request that you produce this cover as ordered.

Signature _____

Date _____

MEASURING USING X-Y METHOD

1. For free form, out of square, or special features pools the X-Y measurement will take the guesswork out of getting an accurate fitting cover.

2. Locate an X-Y line offset from the perimeter of the pool. The line needs to be at least 5' from any edge of the pool and 20' apart (at least 15'). Note: The line cannot cross any edge of the pool (see drawing of pool), if it does the measurements will not plot.

3. Mark points around the perimeter of the pool every 2'. For pools with radius panels use more points and always try to get the end points and center points. On straight wall sections you can use only a couple of points to describe the shape.

4. Place the end of the measuring tape on point X and record the distance to each mark on the form, repeat this with point Y. Two sets of measurements will be recorded for each point, one for X and one for Y. For curved outside steps mark and record as a points in the perimeter.

5. Provide a sketch to indicate the pools direction, obstacles such as hand rails, grab rails, dive stands, etc. Use the X-Y method to determine the location of any obstructions. Note on the drawing.

*Length of Pool: _____

Point # _____ to Point # _____

*Width of Pool: _____

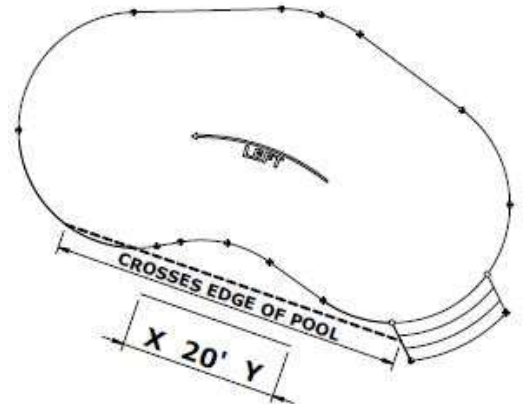
Point # _____ to Point # _____

*Cross Dim #1: _____

Point # _____ to Point # _____

*Cross Dim #2: _____

Point # _____ to Point # _____



X MEASUREMENTS

Y MEASUREMENTS

01	<input type="text"/>	21	<input type="text"/>	41	<input type="text"/>	01	<input type="text"/>	21	<input type="text"/>	41	<input type="text"/>
02	<input type="text"/>	22	<input type="text"/>	42	<input type="text"/>	02	<input type="text"/>	22	<input type="text"/>	42	<input type="text"/>
03	<input type="text"/>	23	<input type="text"/>	43	<input type="text"/>	03	<input type="text"/>	23	<input type="text"/>	43	<input type="text"/>
04	<input type="text"/>	24	<input type="text"/>	44	<input type="text"/>	04	<input type="text"/>	24	<input type="text"/>	44	<input type="text"/>
05	<input type="text"/>	25	<input type="text"/>	45	<input type="text"/>	05	<input type="text"/>	25	<input type="text"/>	45	<input type="text"/>
06	<input type="text"/>	26	<input type="text"/>	46	<input type="text"/>	06	<input type="text"/>	26	<input type="text"/>	46	<input type="text"/>
07	<input type="text"/>	27	<input type="text"/>	47	<input type="text"/>	07	<input type="text"/>	27	<input type="text"/>	47	<input type="text"/>
08	<input type="text"/>	28	<input type="text"/>	48	<input type="text"/>	08	<input type="text"/>	28	<input type="text"/>	48	<input type="text"/>
09	<input type="text"/>	29	<input type="text"/>	49	<input type="text"/>	09	<input type="text"/>	29	<input type="text"/>	49	<input type="text"/>
10	<input type="text"/>	30	<input type="text"/>	50	<input type="text"/>	10	<input type="text"/>	30	<input type="text"/>	50	<input type="text"/>
11	<input type="text"/>	31	<input type="text"/>	51	<input type="text"/>	11	<input type="text"/>	31	<input type="text"/>	51	<input type="text"/>
12	<input type="text"/>	32	<input type="text"/>	52	<input type="text"/>	12	<input type="text"/>	32	<input type="text"/>	52	<input type="text"/>
13	<input type="text"/>	33	<input type="text"/>	53	<input type="text"/>	13	<input type="text"/>	33	<input type="text"/>	53	<input type="text"/>
14	<input type="text"/>	34	<input type="text"/>	54	<input type="text"/>	14	<input type="text"/>	34	<input type="text"/>	54	<input type="text"/>
15	<input type="text"/>	35	<input type="text"/>	55	<input type="text"/>	15	<input type="text"/>	35	<input type="text"/>	55	<input type="text"/>
16	<input type="text"/>	36	<input type="text"/>	56	<input type="text"/>	16	<input type="text"/>	36	<input type="text"/>	56	<input type="text"/>
17	<input type="text"/>	37	<input type="text"/>	57	<input type="text"/>	17	<input type="text"/>	37	<input type="text"/>	57	<input type="text"/>
18	<input type="text"/>	38	<input type="text"/>	58	<input type="text"/>	18	<input type="text"/>	38	<input type="text"/>	58	<input type="text"/>
19	<input type="text"/>	39	<input type="text"/>	59	<input type="text"/>	19	<input type="text"/>	39	<input type="text"/>	59	<input type="text"/>
20	<input type="text"/>	40	<input type="text"/>	60	<input type="text"/>	20	<input type="text"/>	40	<input type="text"/>	60	<input type="text"/>

Notes:

SOME POOLS ARE NOT BUILT TO MANUFACTURERS SPECS. IT IS IMPORTANT THAT YOU VERIFY THE DIMENSIONS

HYDRA POOLS and its authorized distributors and dealers, as part of the swimming pool industry and members of the Association of Pool and Spa Professionals adopt those standards for the purpose of pool safety to prevent the risk of a consumer or guest from suffering a severe or paralyzing injury or loss of life due to diving into water less than prescribed by modern standards. Such injuries can occur by sliding head first into shallow water. We will produce the liner according to the dimensions provided only upon the following conditions: The customer recognizes that the pool may be of non-conforming type and - 1. Consumer agrees to permanently remove the diving board if it exists prior to the installation of this liner. 2. Consumer agrees to relocate sliding board if necessary, prior to installation of this liner, to conform to APSP standards. 3. Consumer agrees to defend, indemnify and hold HYDRA POOLS and its distributors and dealers harmless from any claims arising from injuries that may occur from the use of the pool containing this liner. 4. Consumer agrees that in addition to abiding to the conditions above, he will not allow use of the pool by anyone, including guests, which is inconsistent with this warning. I UNDERSTAND THE ABOVE WARNING AND RECOMMENDATIONS, CERTIFY THAT I WILL ABIDE BY ALL PERTINENT CONDITIONS, AND REQUEST THAT YOU PRODUCE THIS LINER AS ORDERED. **Your digital signature below and return of the document to Hydra Pools becomes the conditions confirming and binding the dimensions listed above as accurate and to be used in the production of the product.**

Signature: _____

Date/Time Field _____